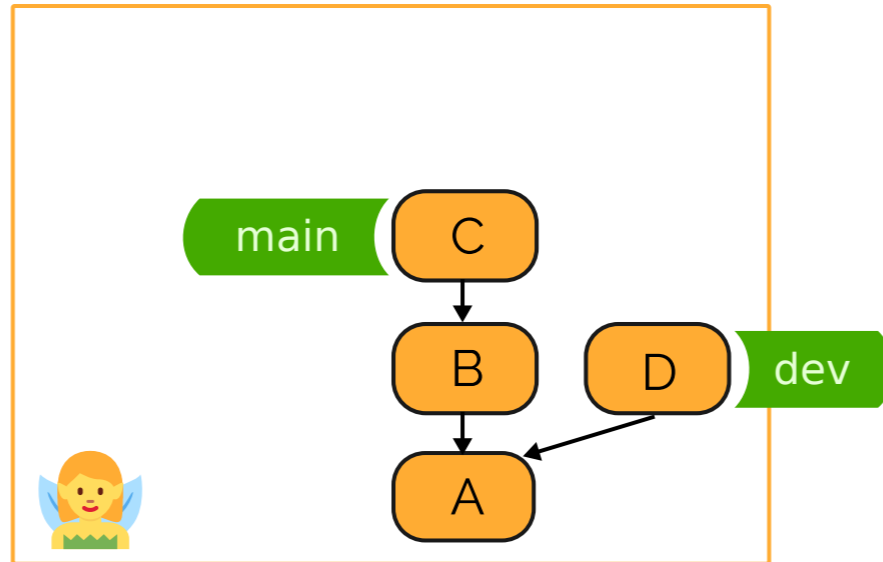
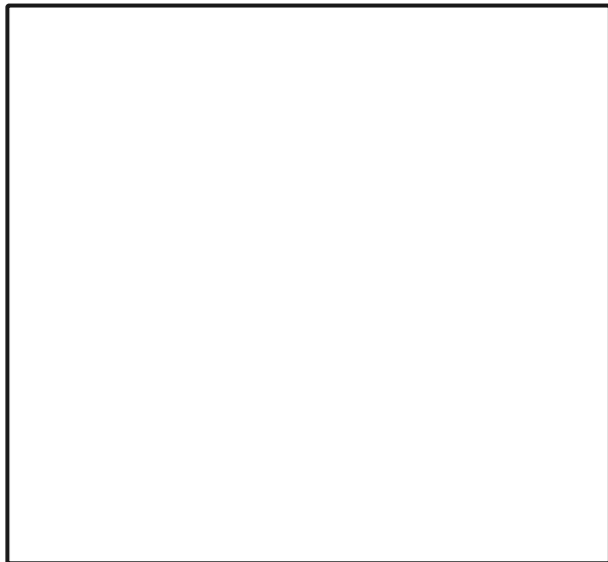
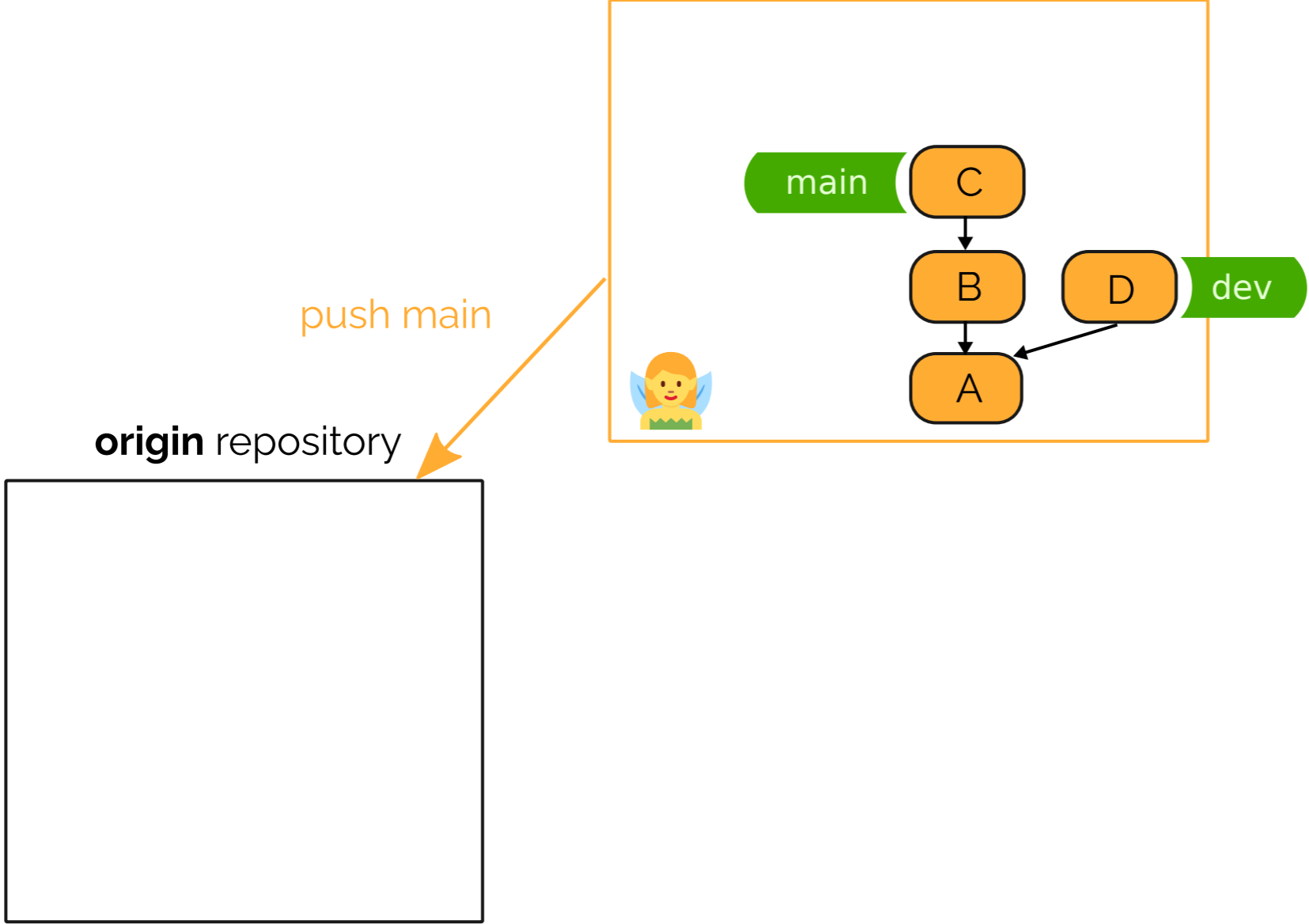
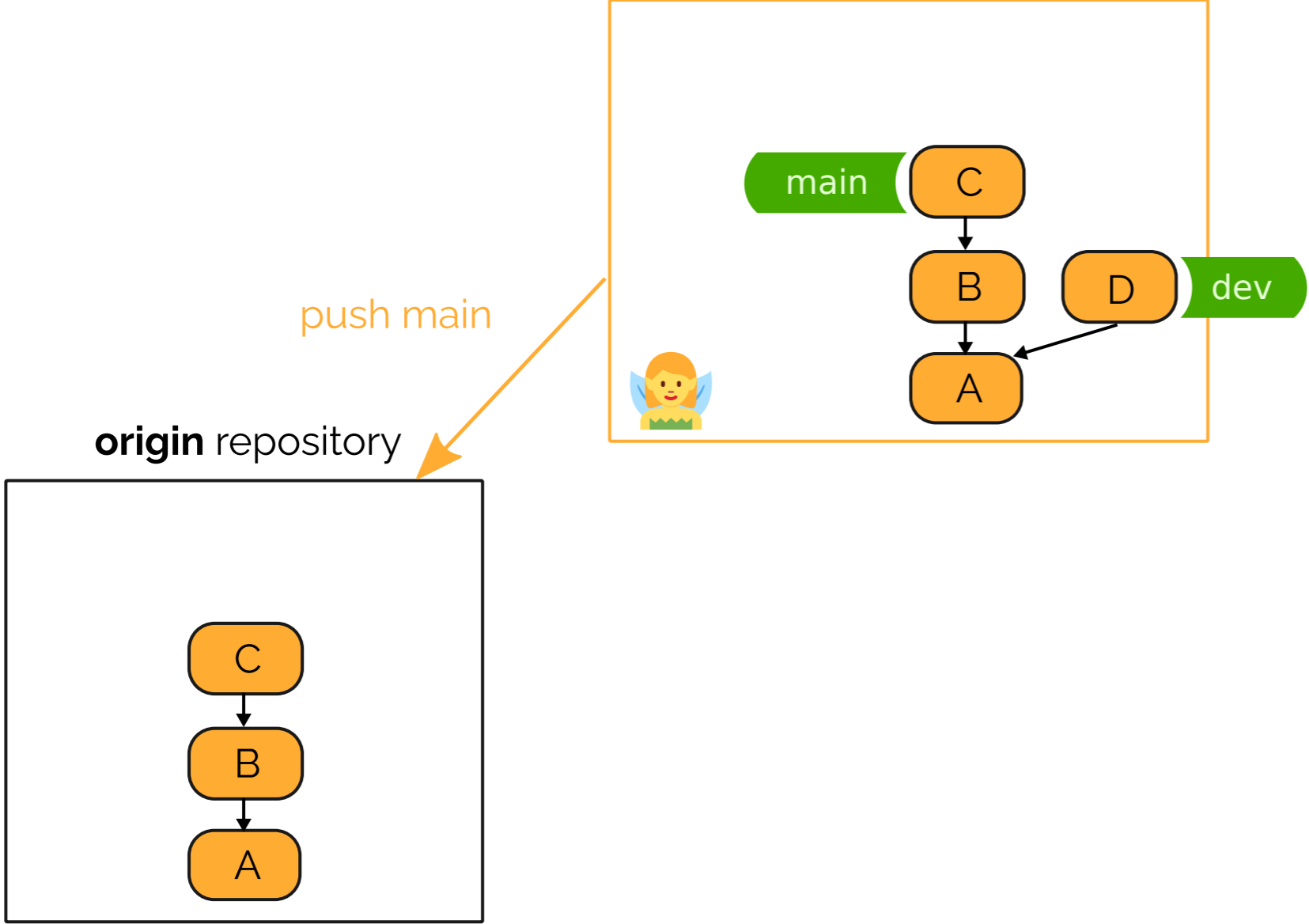
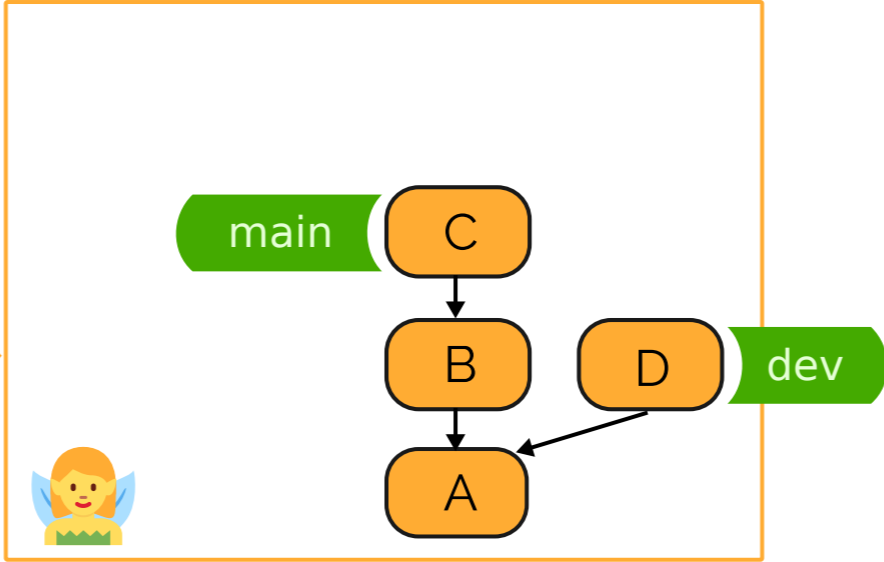


origin repository



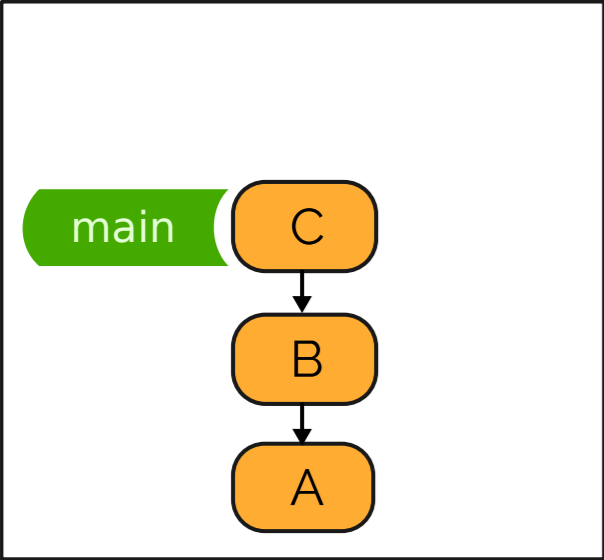


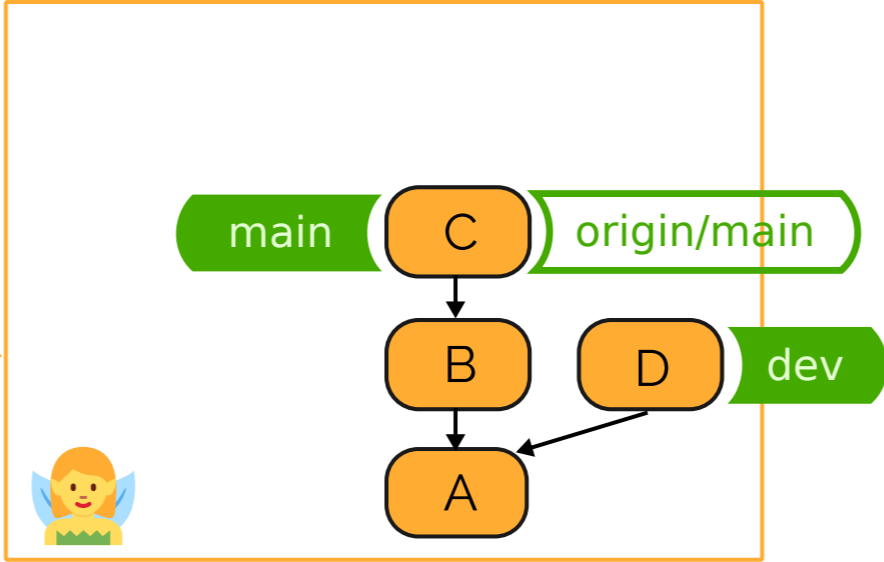




push main

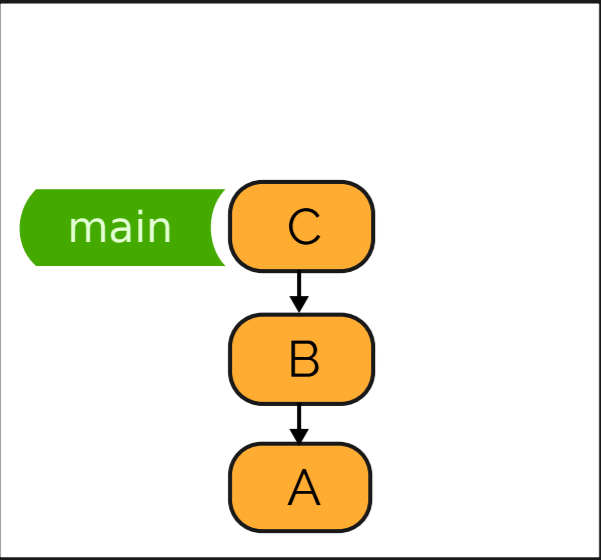
origin repository



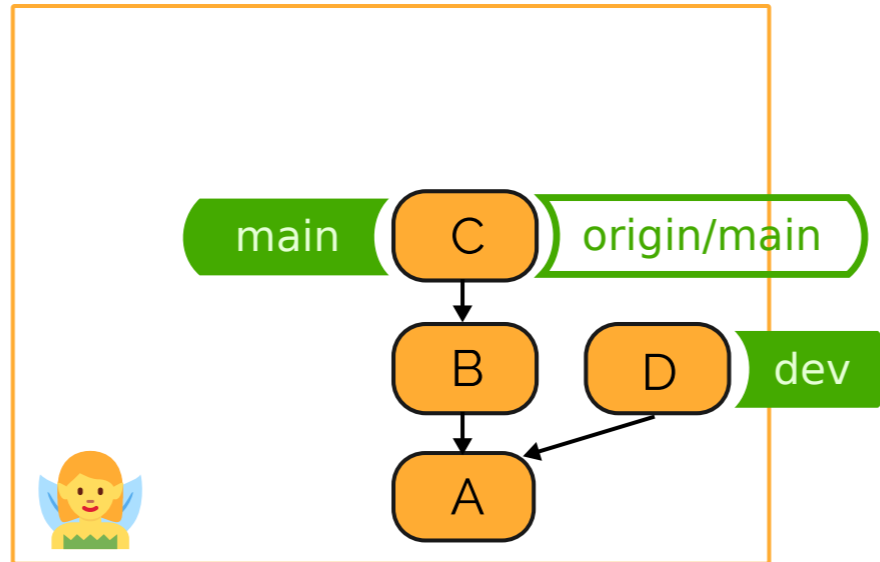
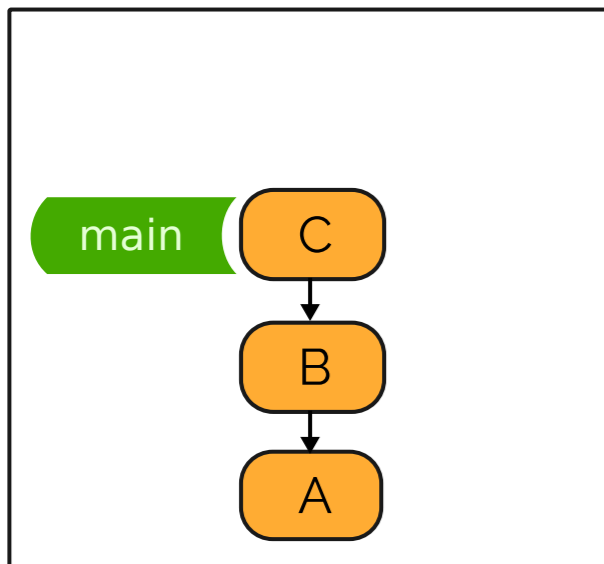


push main

origin repository



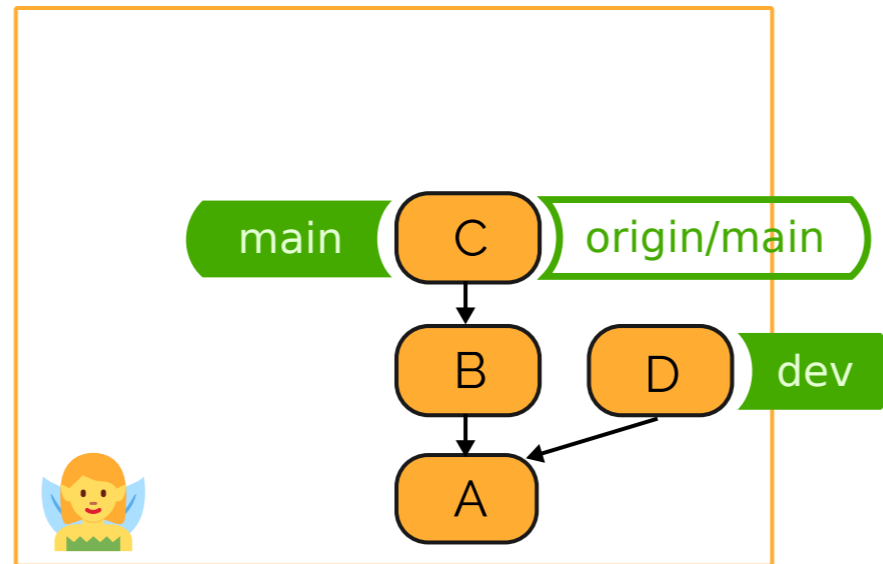
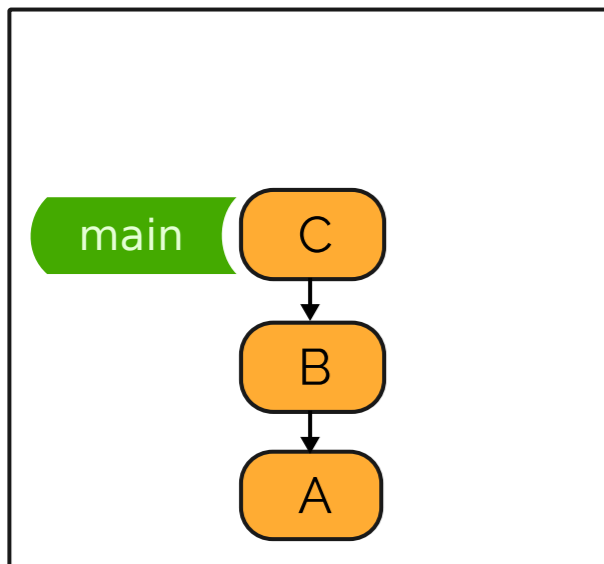
origin repository



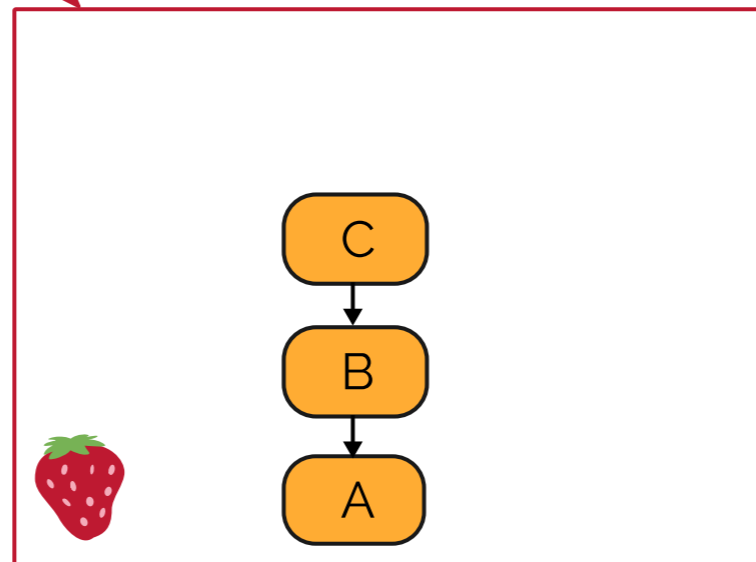
clone



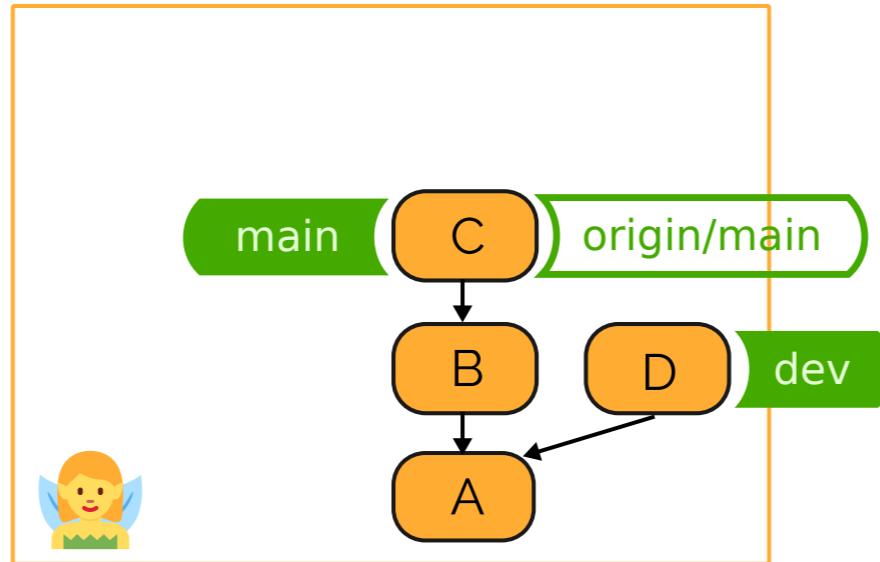
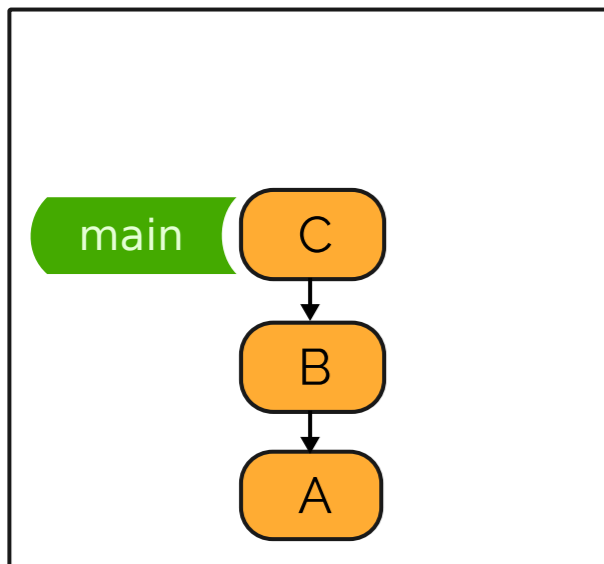
origin repository



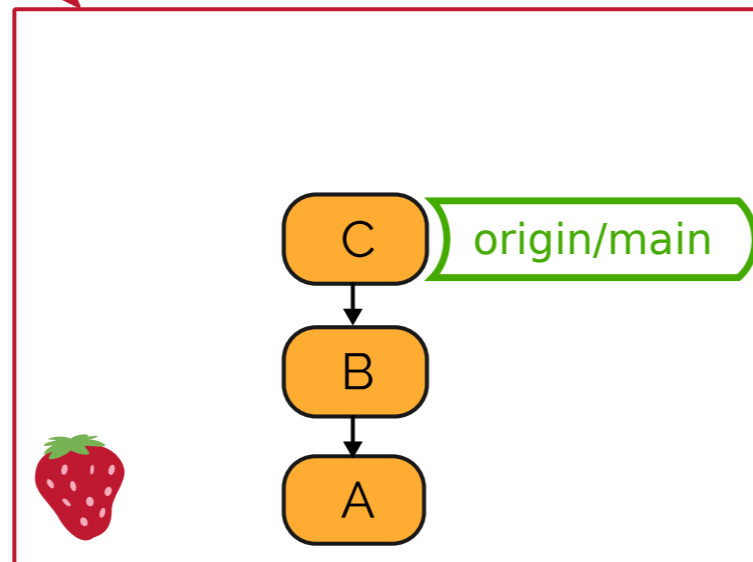
clone



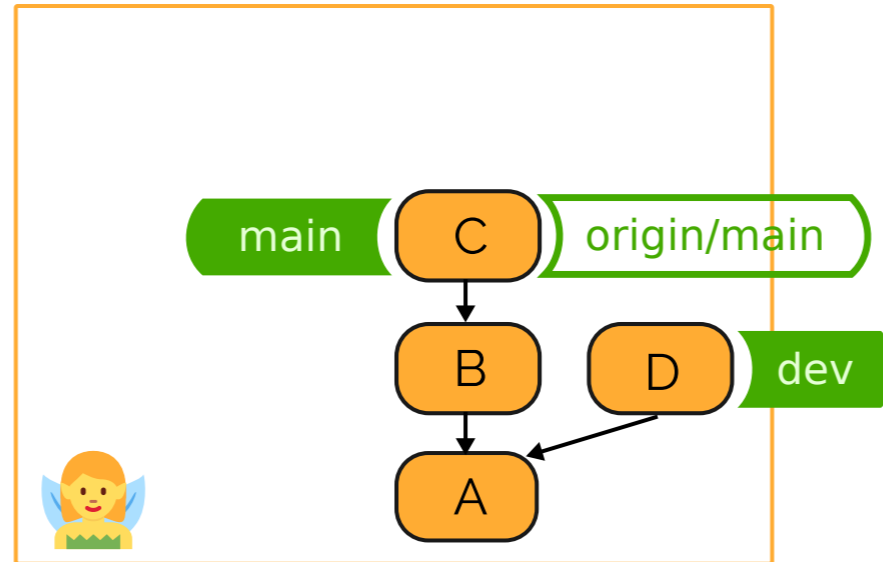
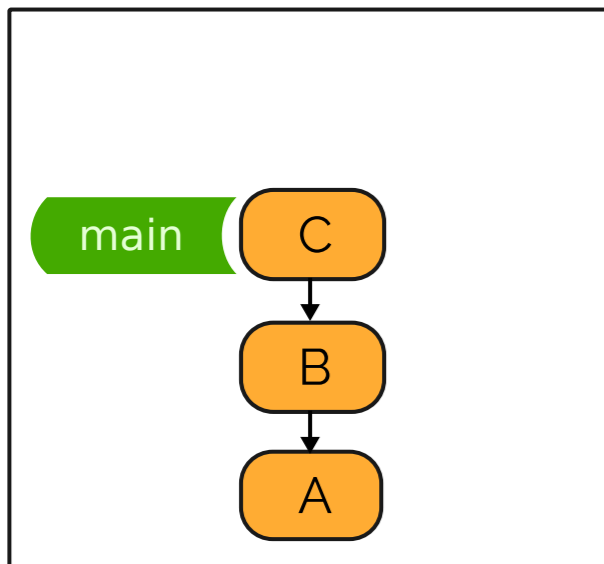
origin repository



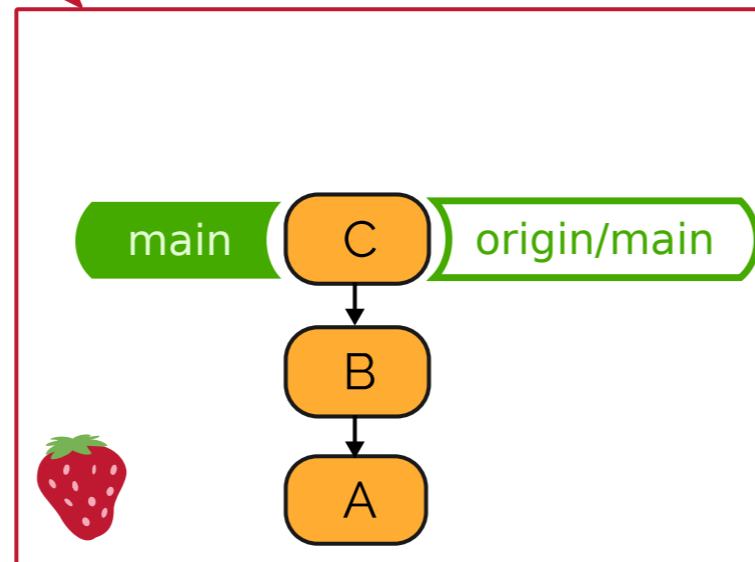
clone



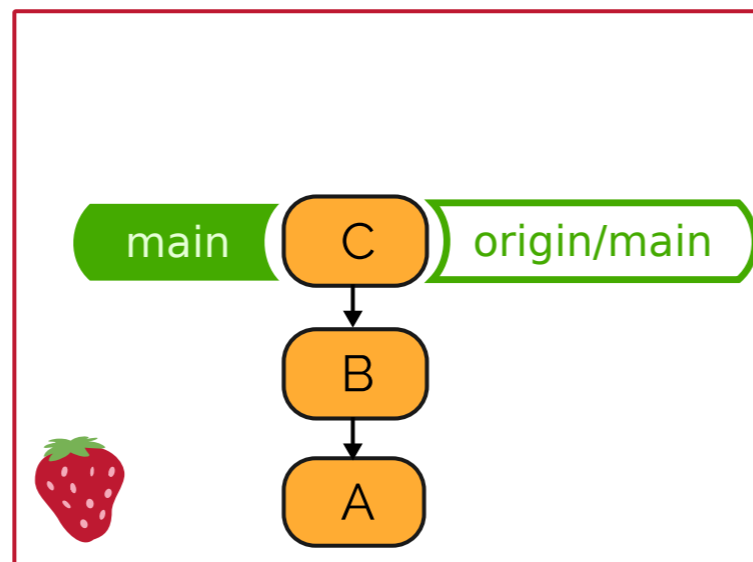
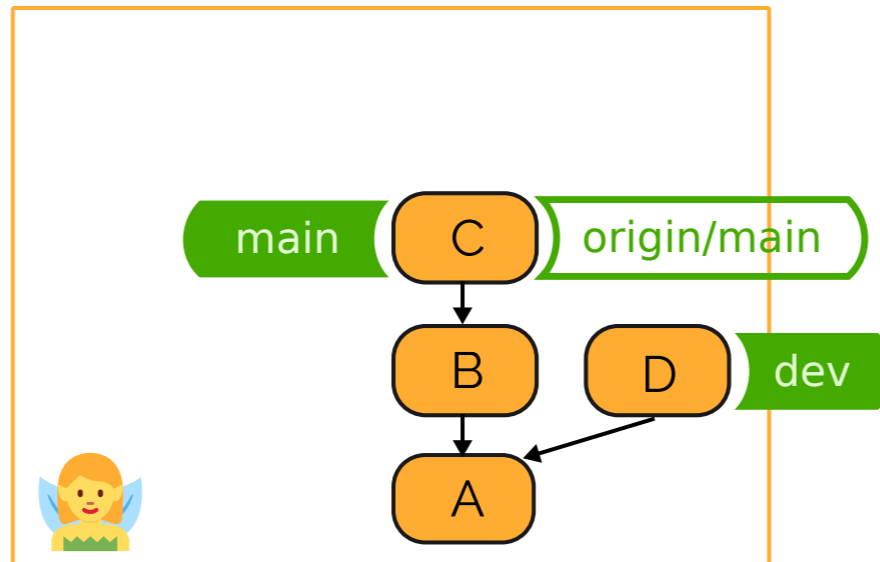
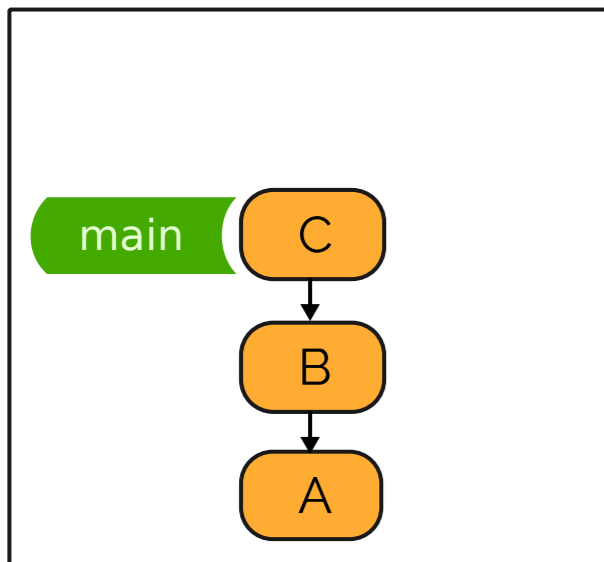
origin repository



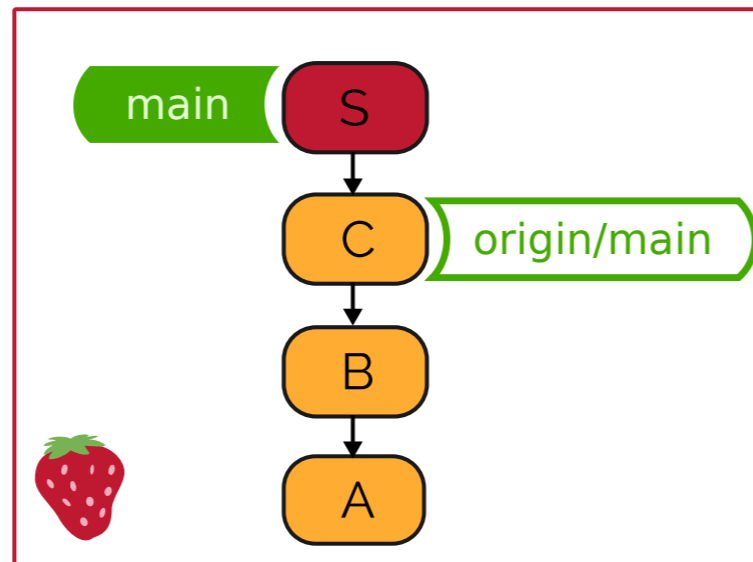
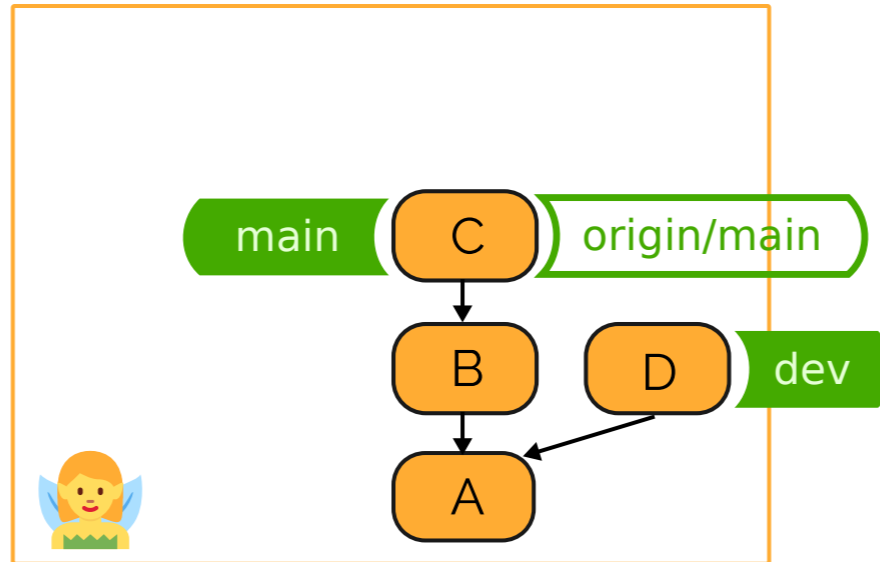
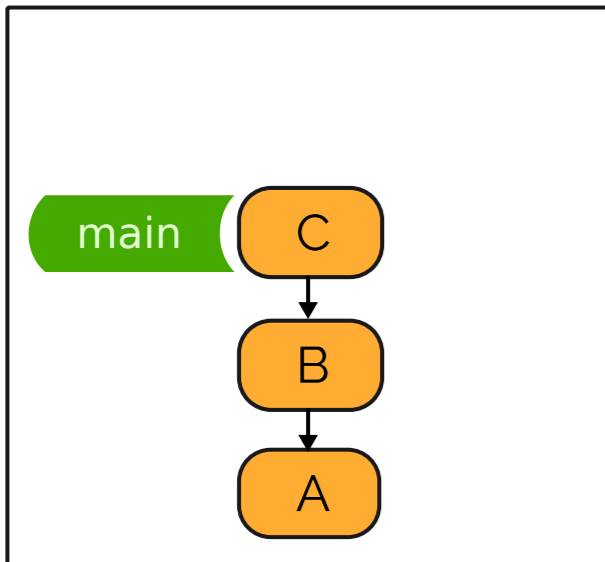
clone



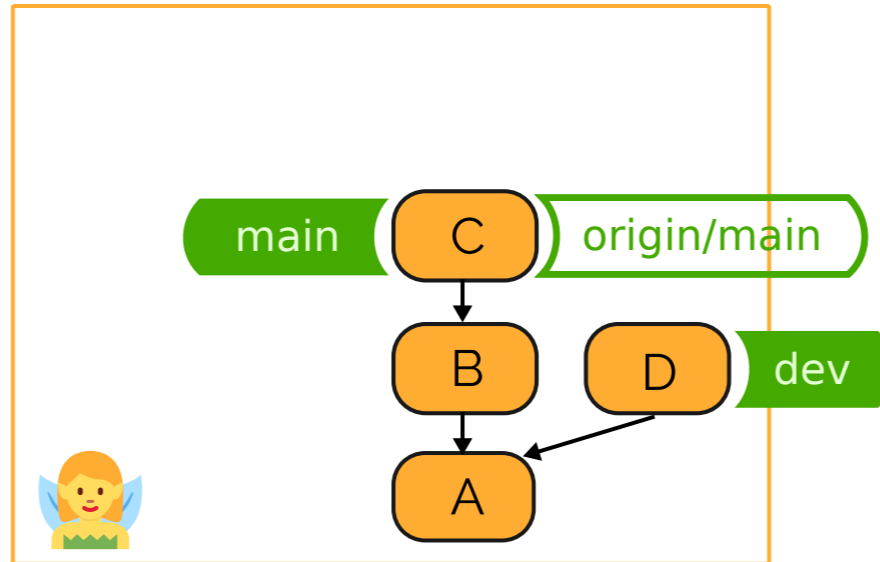
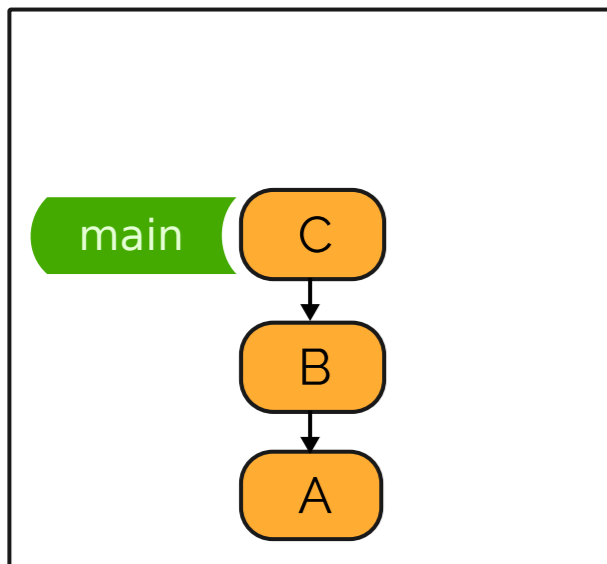
origin repository



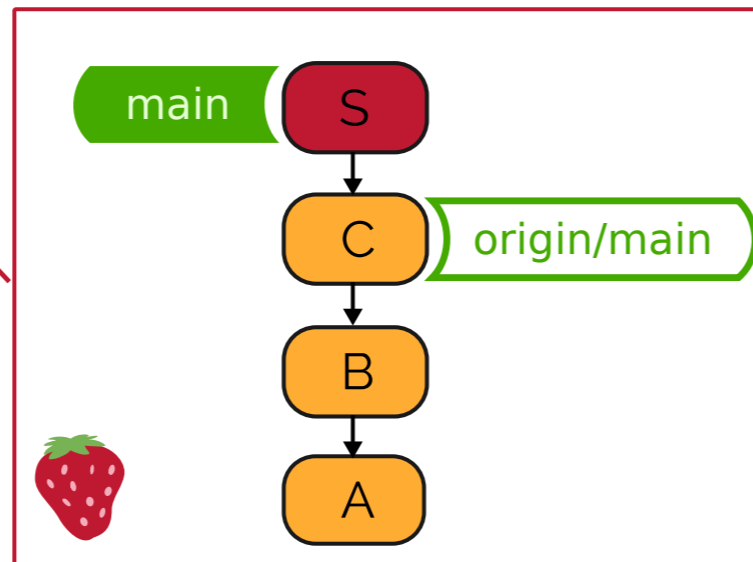
origin repository

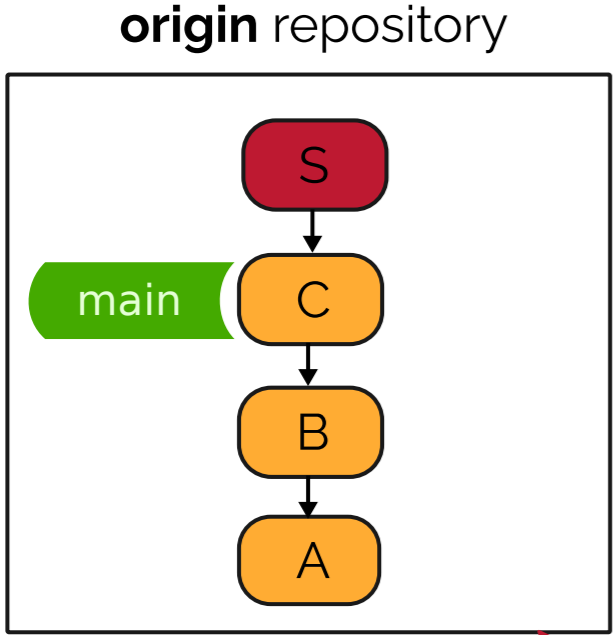
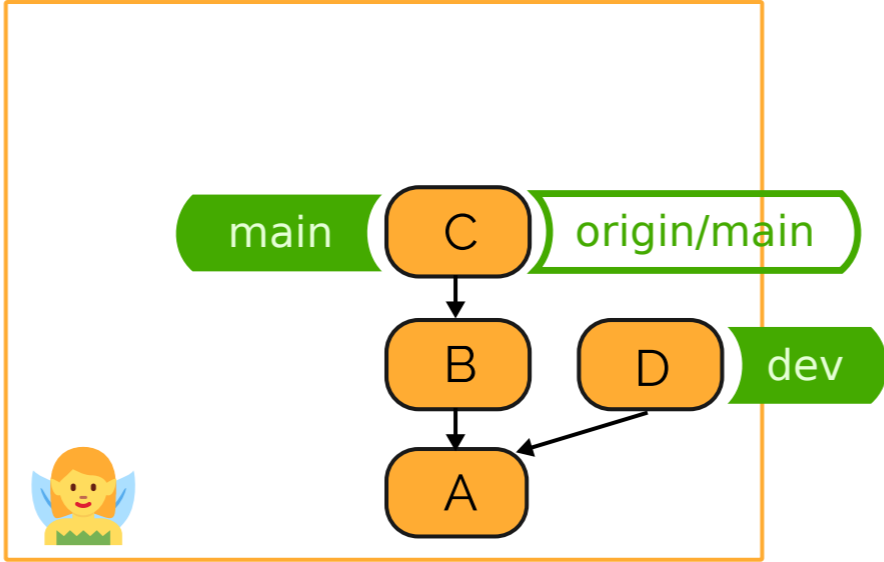


origin repository

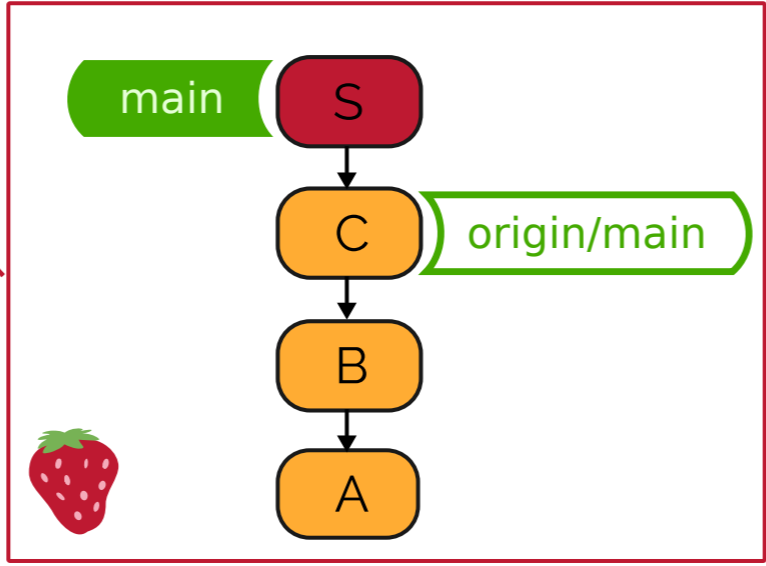


push main

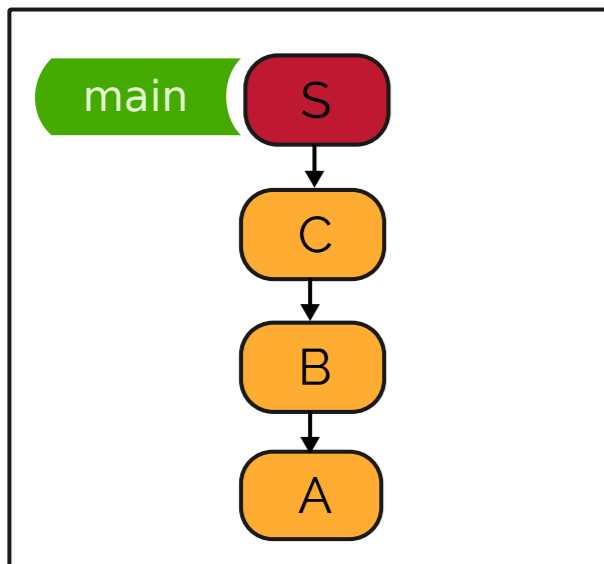




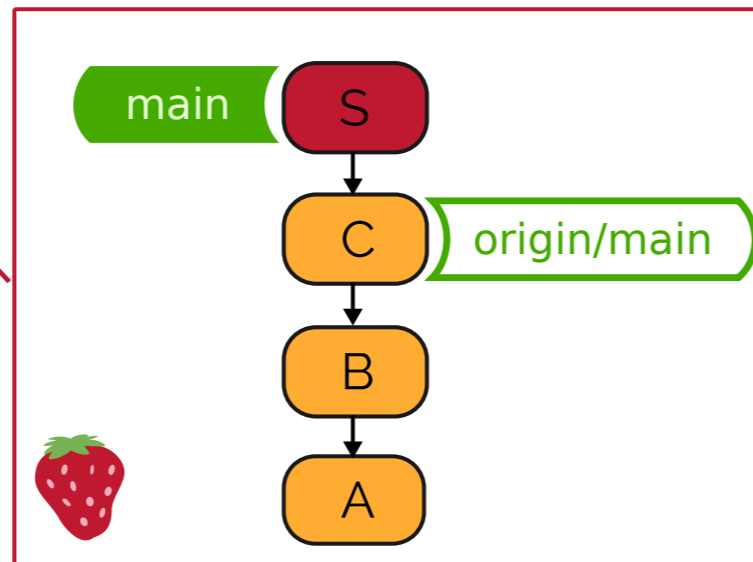
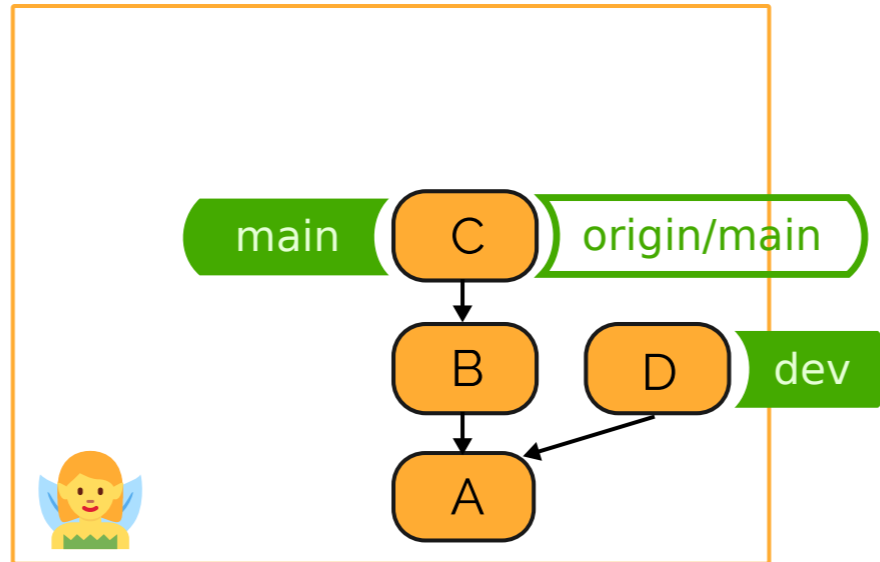
push main

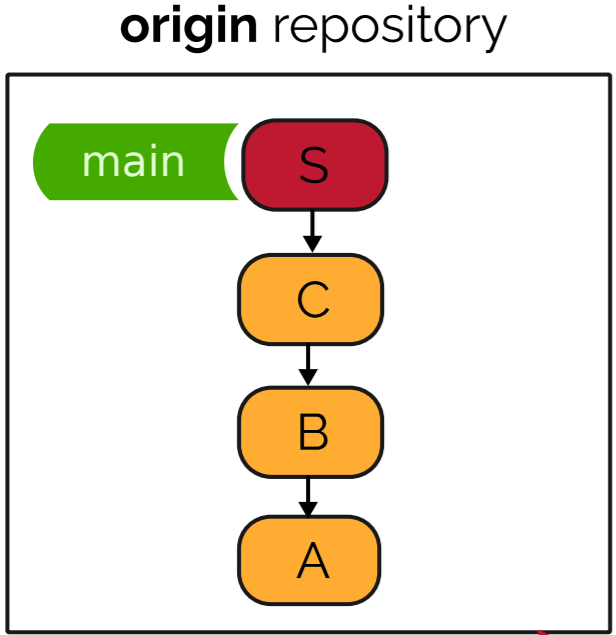
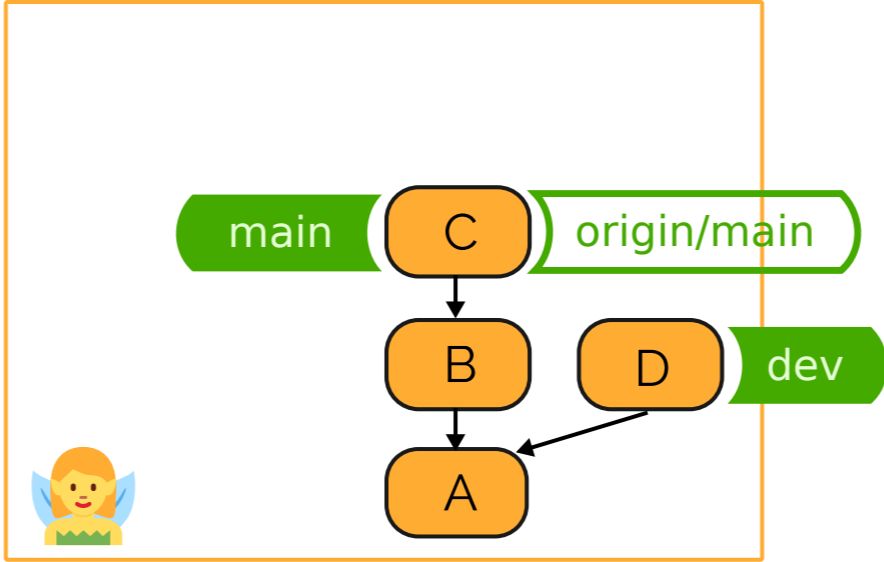


origin repository

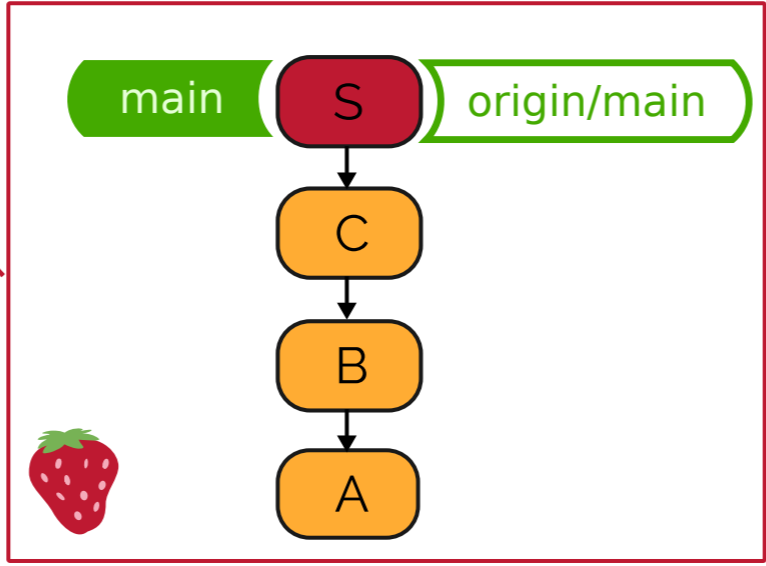


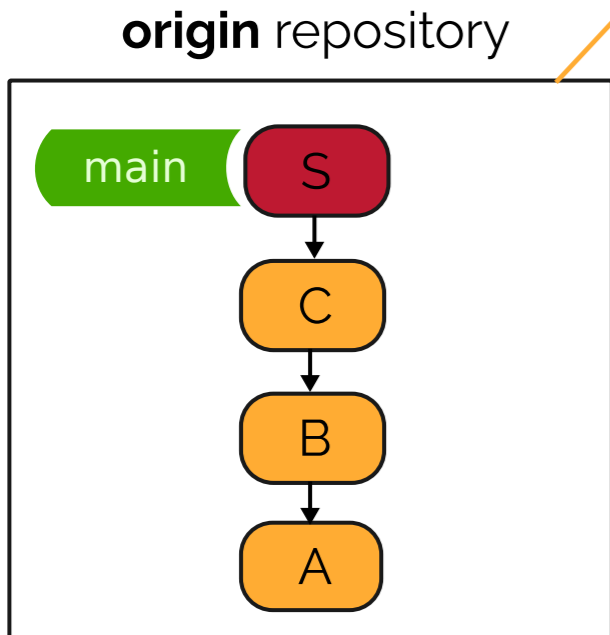
push main



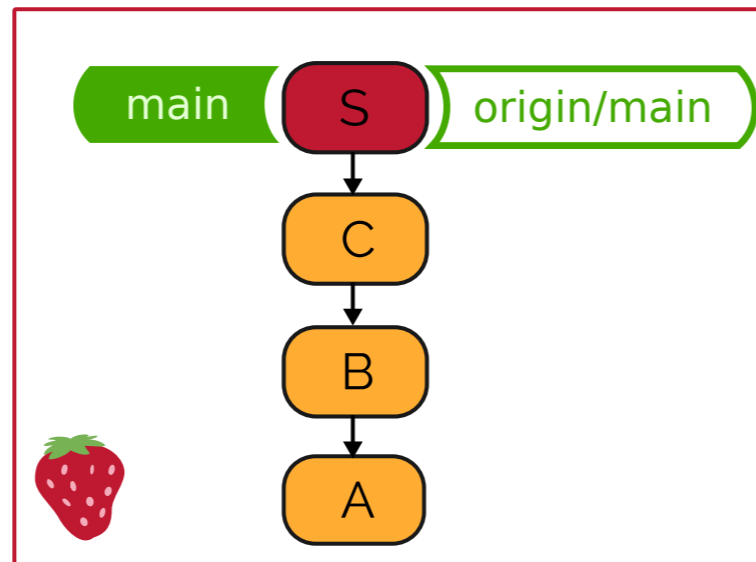
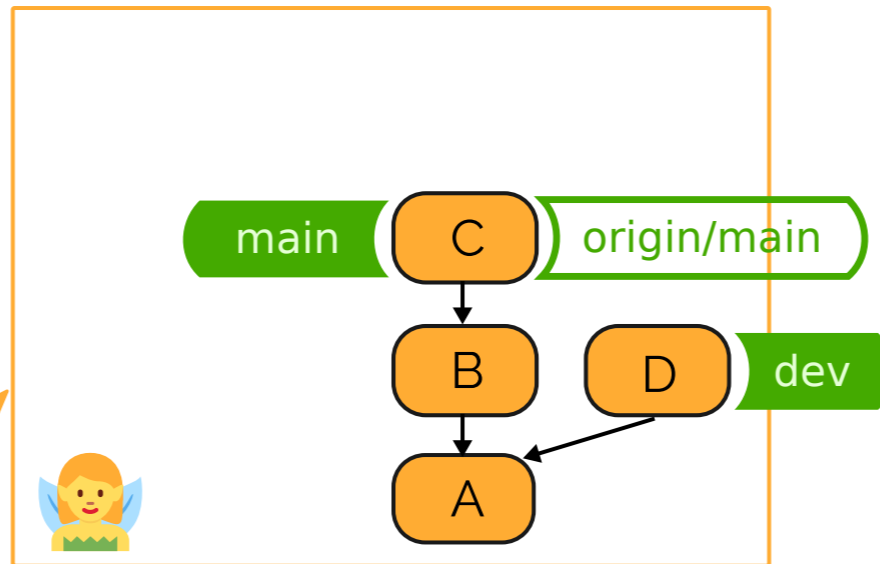


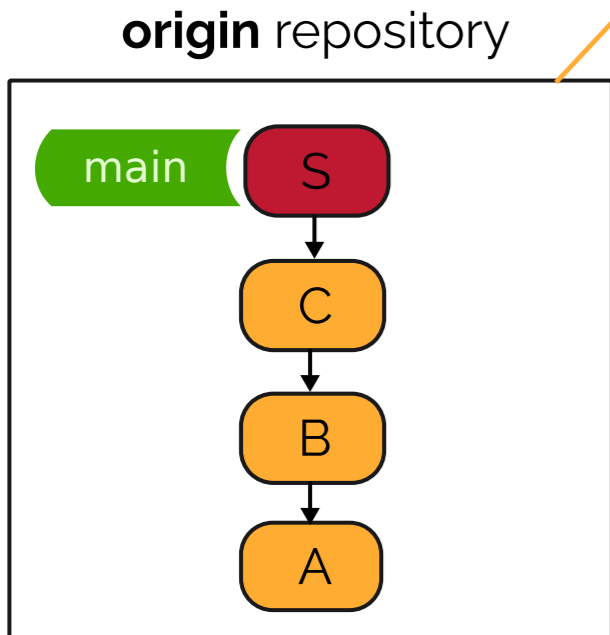
push main



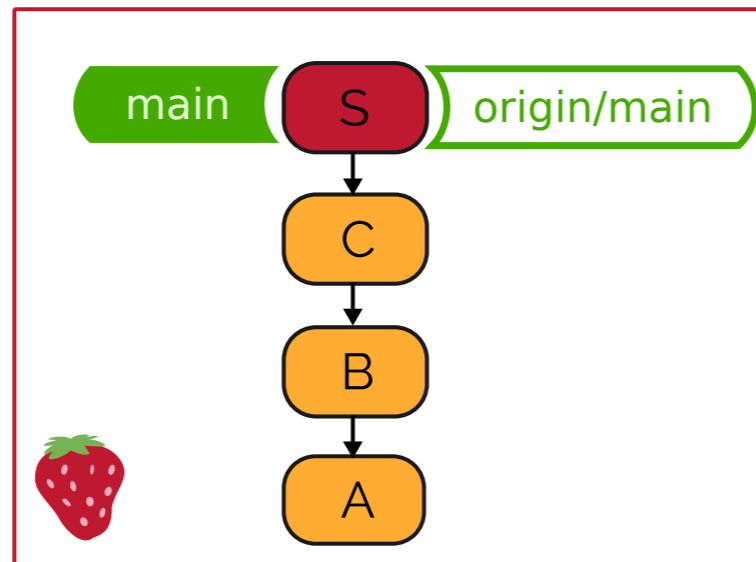
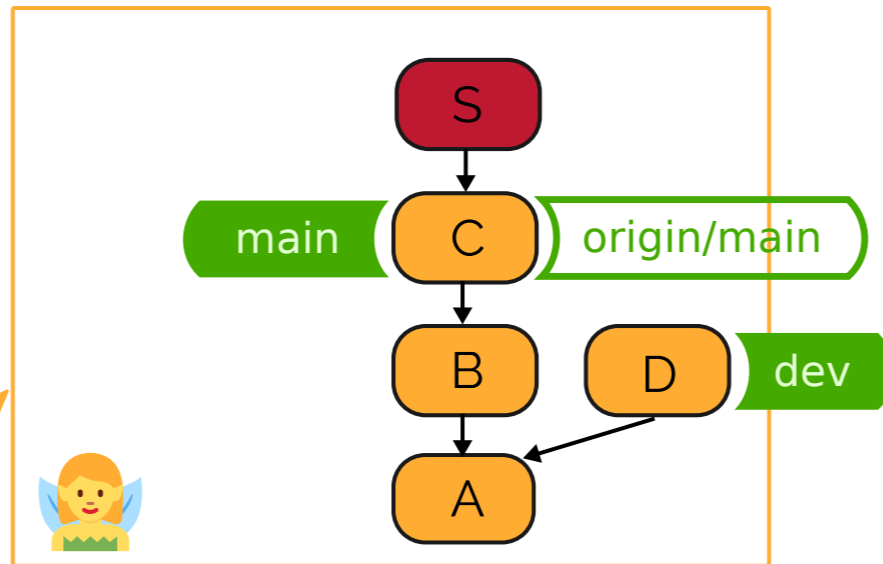


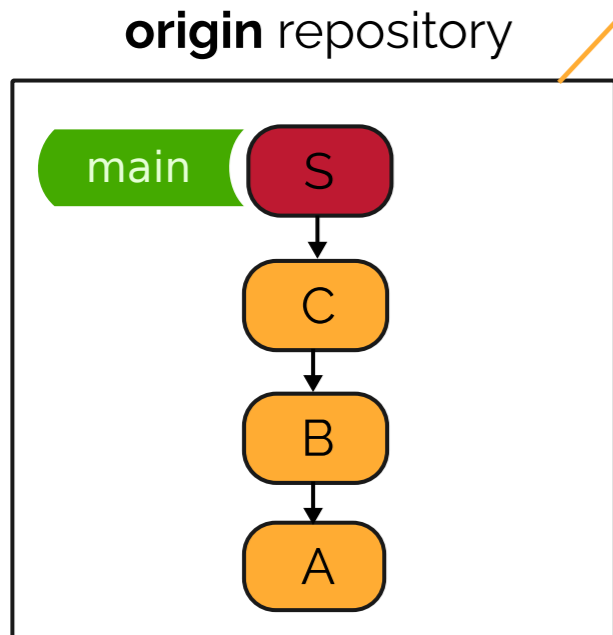
fetch



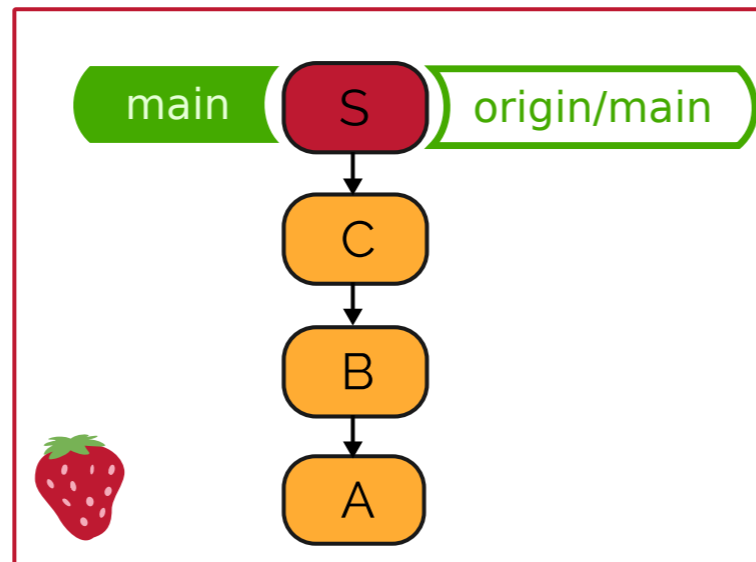
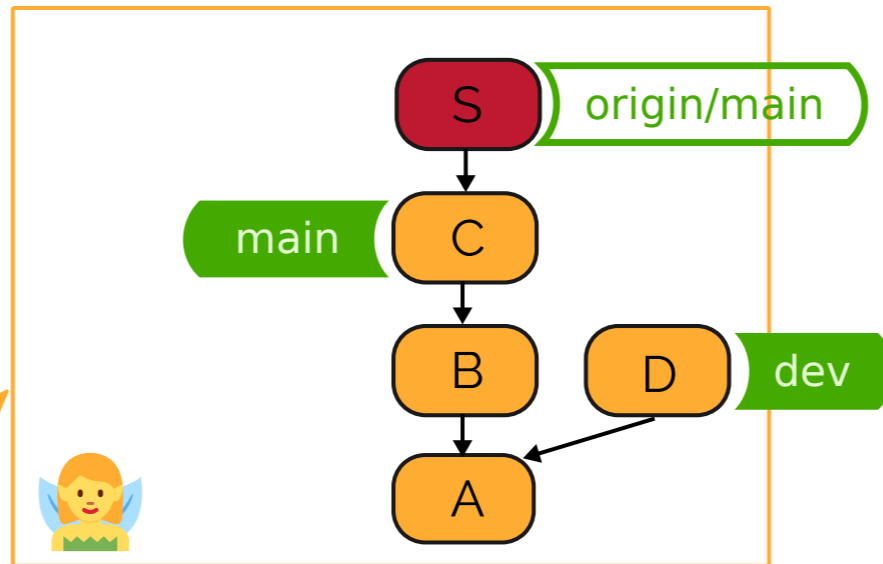


fetch

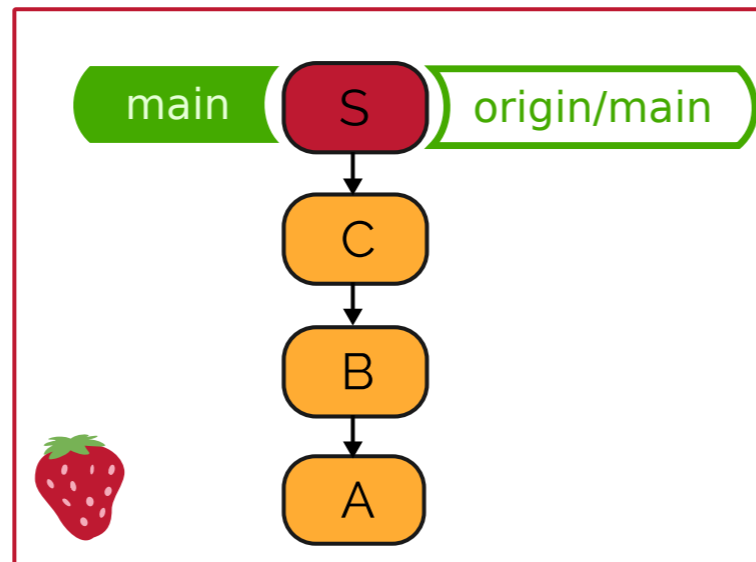
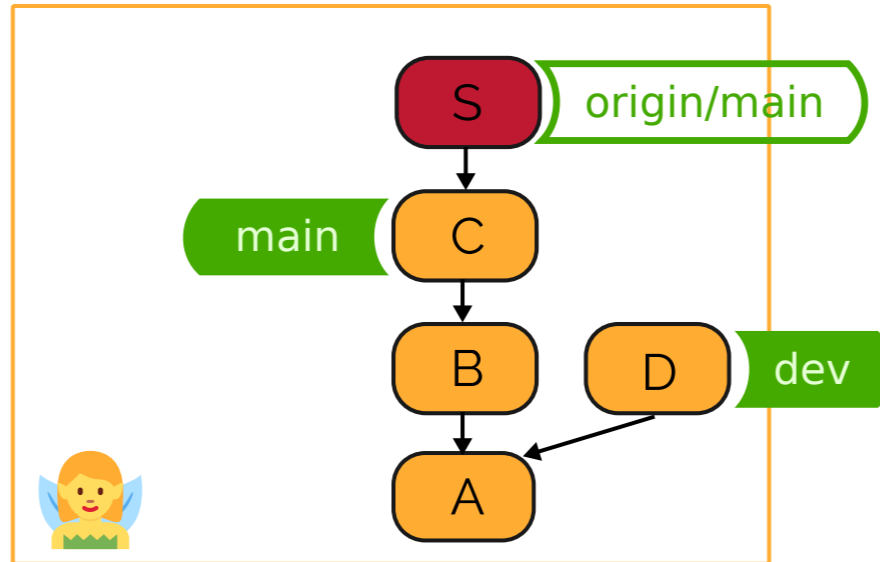
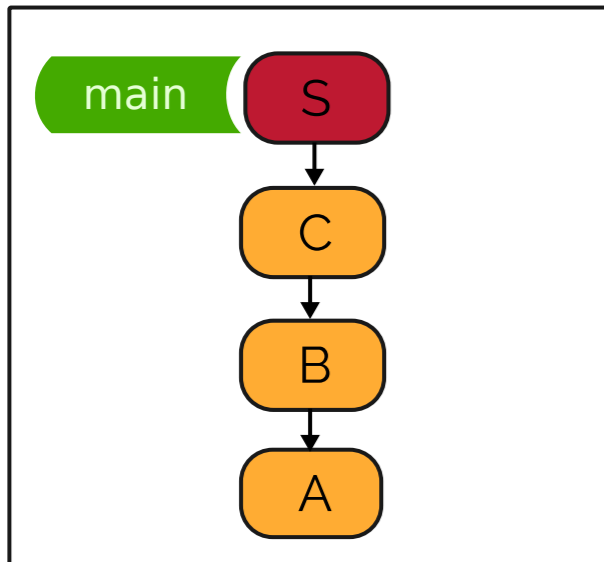




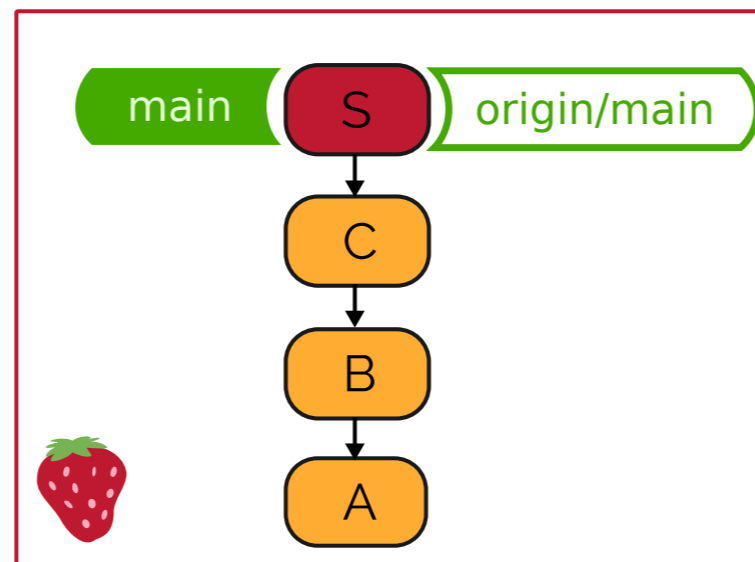
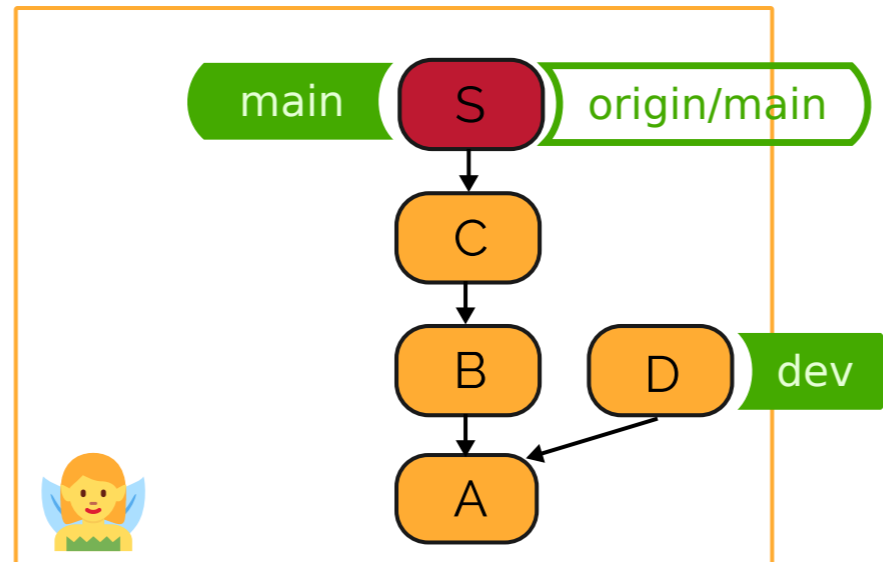
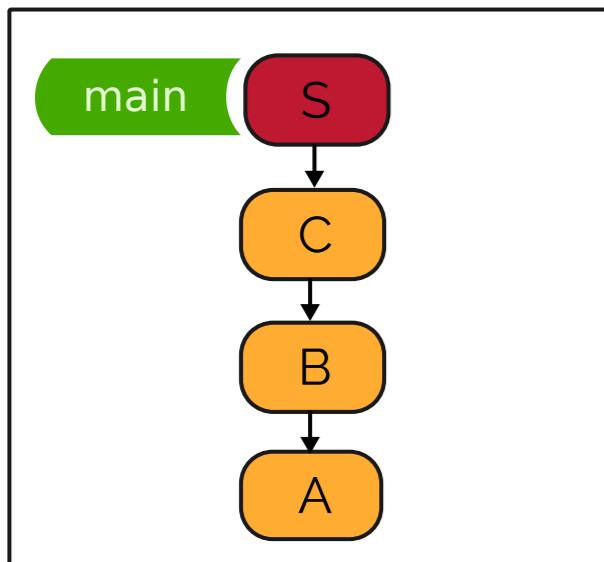
fetch



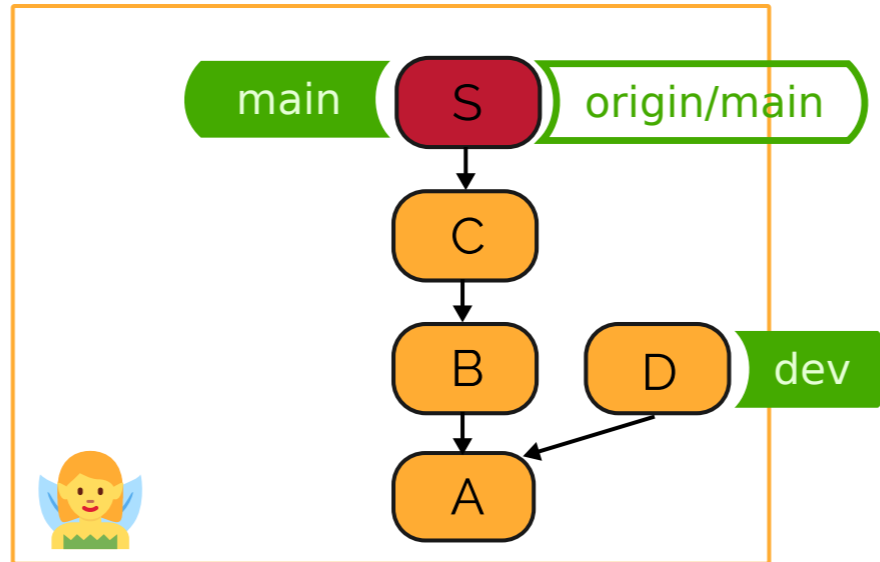
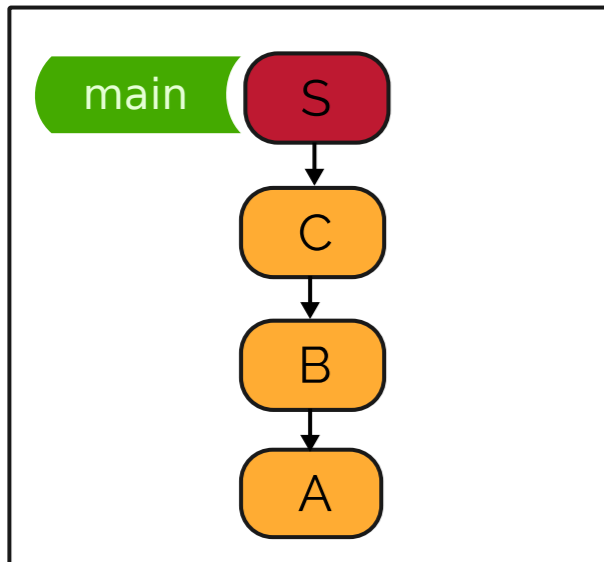
origin repository



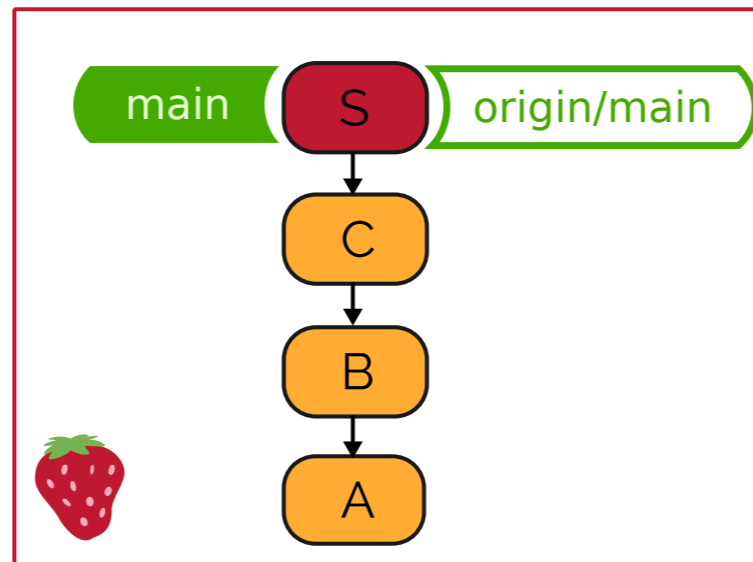
origin repository



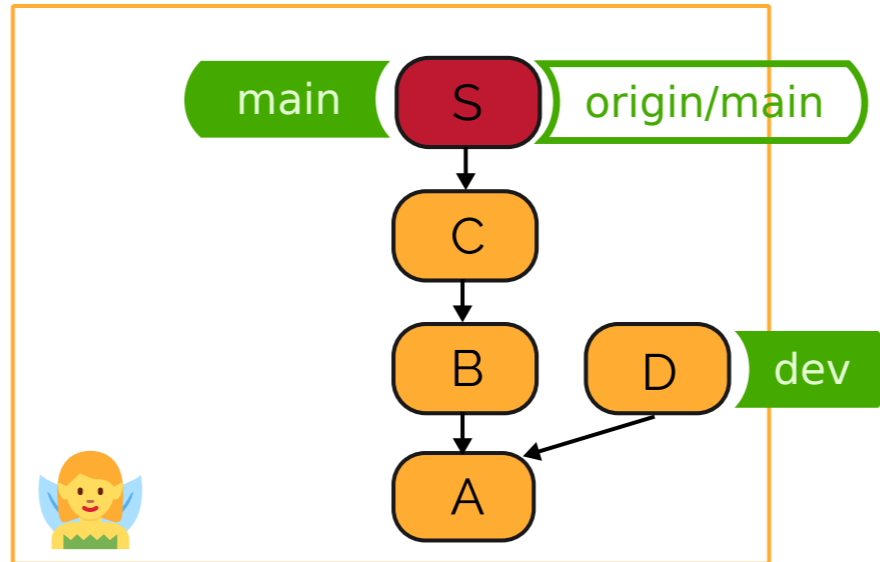
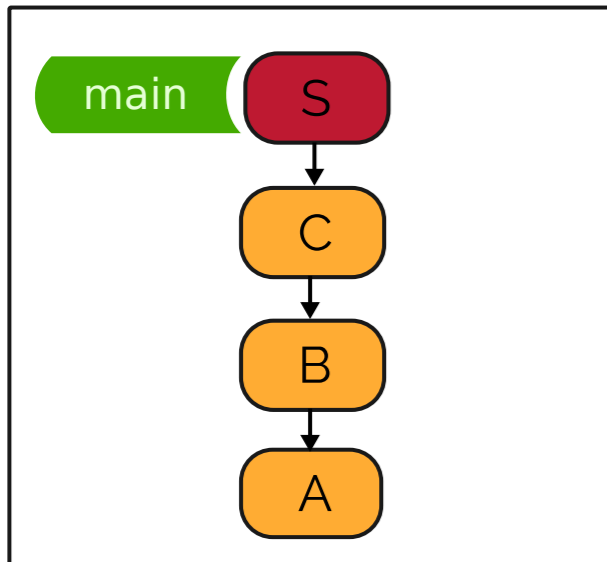
origin repository



foo repository



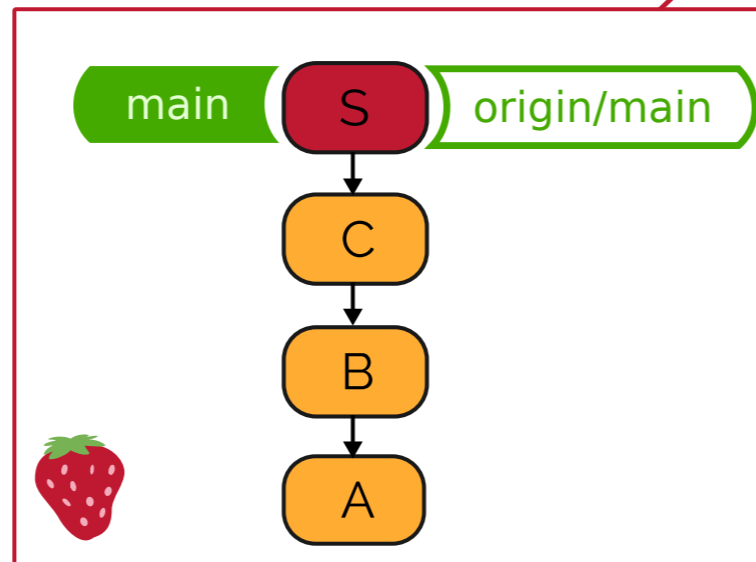
origin repository



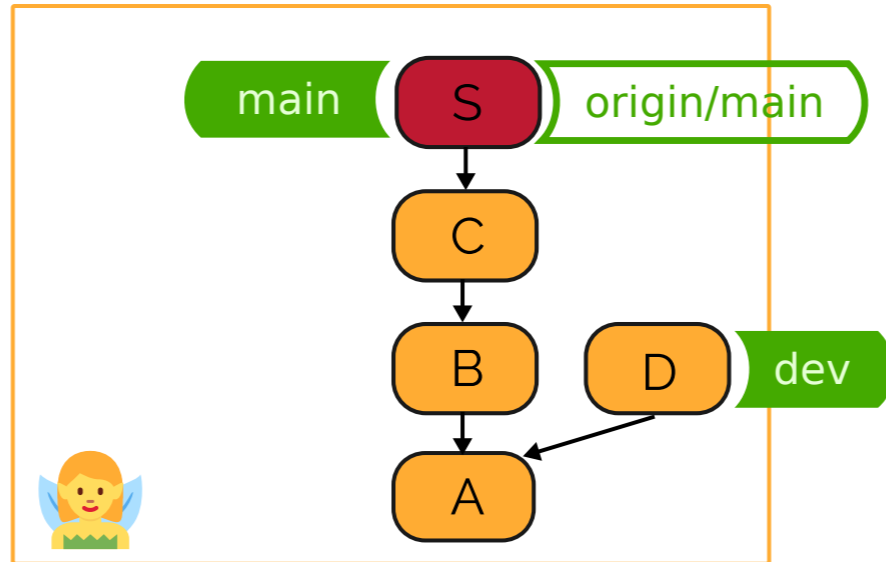
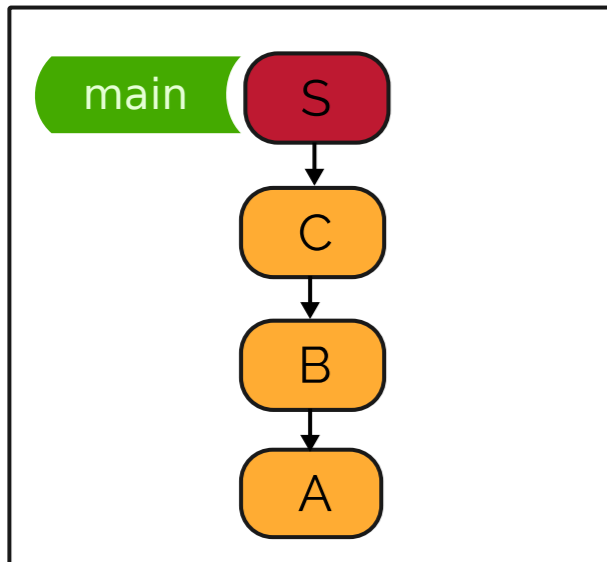
foo repository



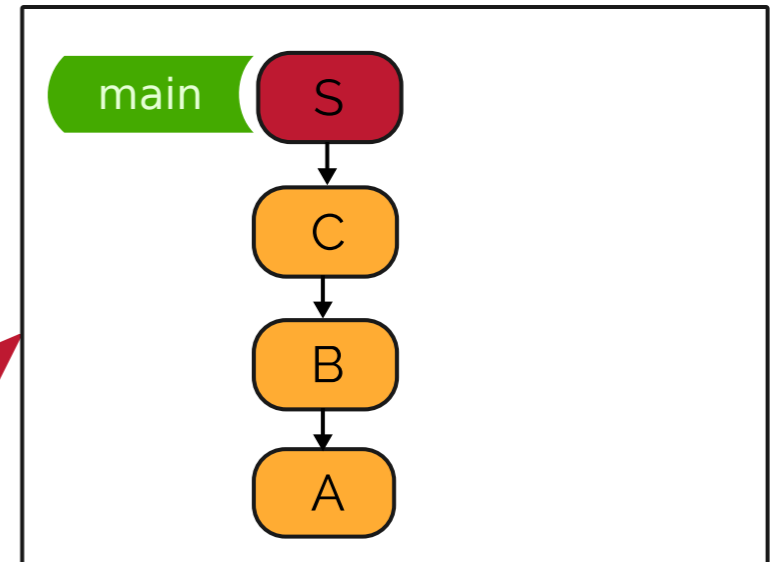
push main



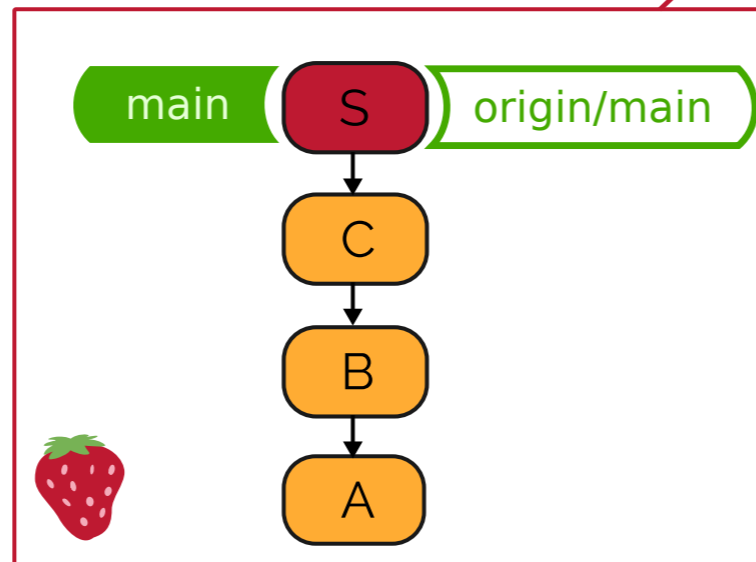
origin repository



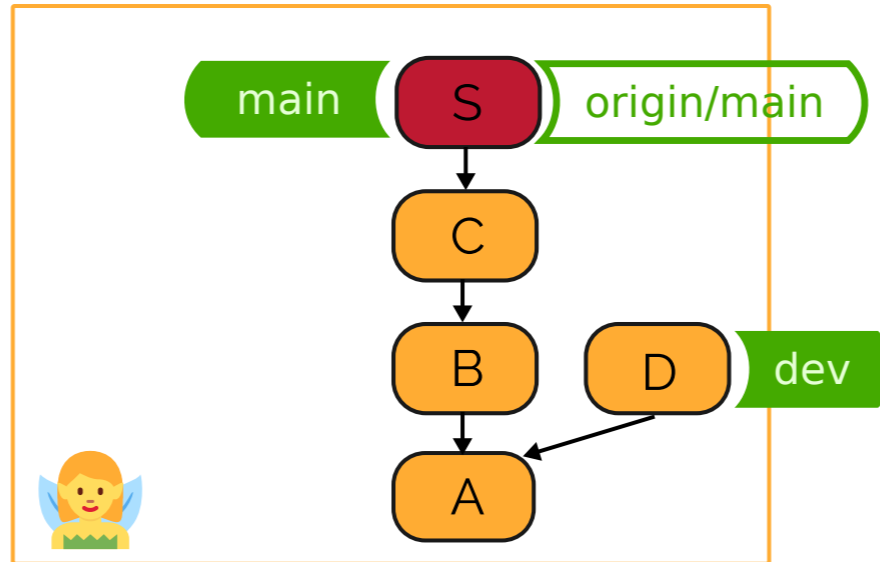
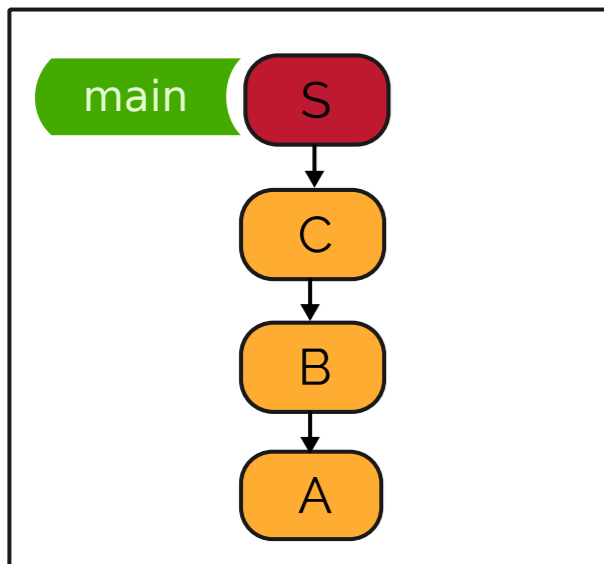
foo repository



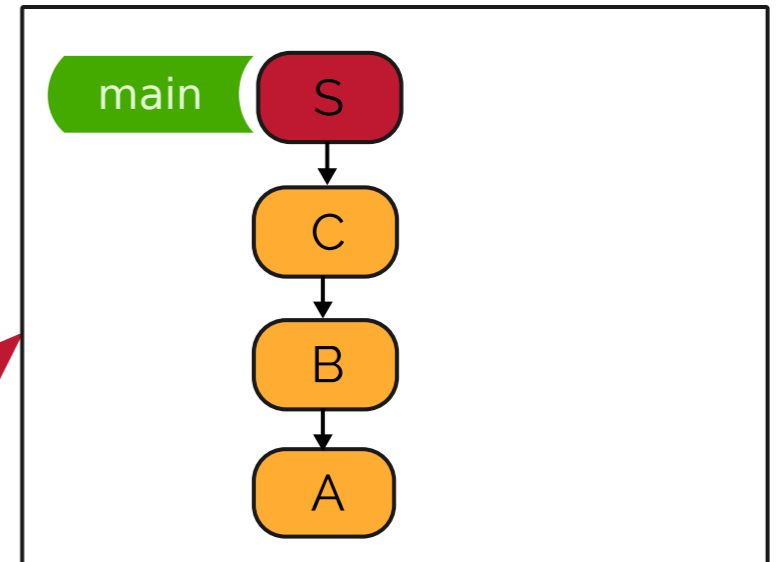
push main



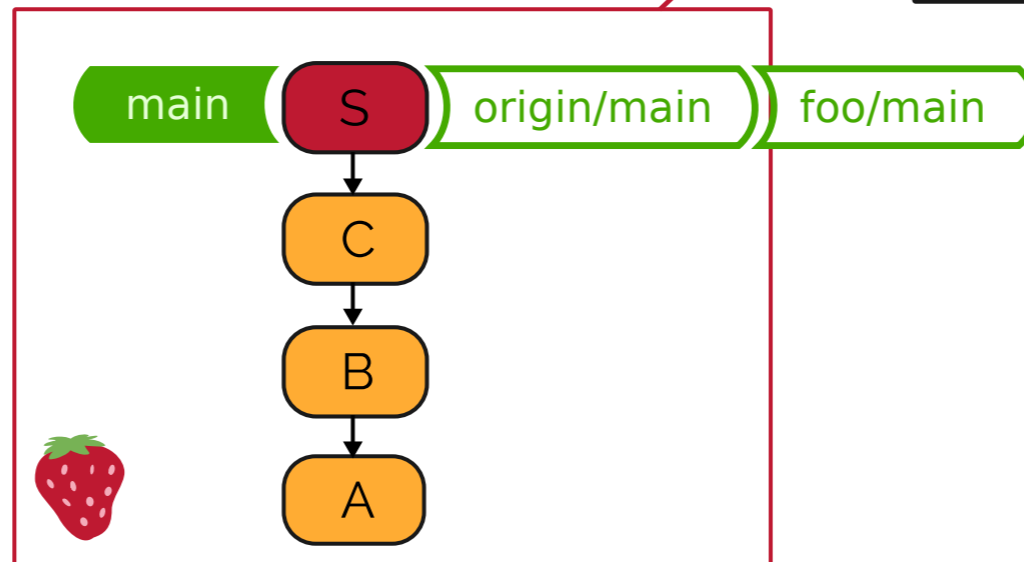
origin repository



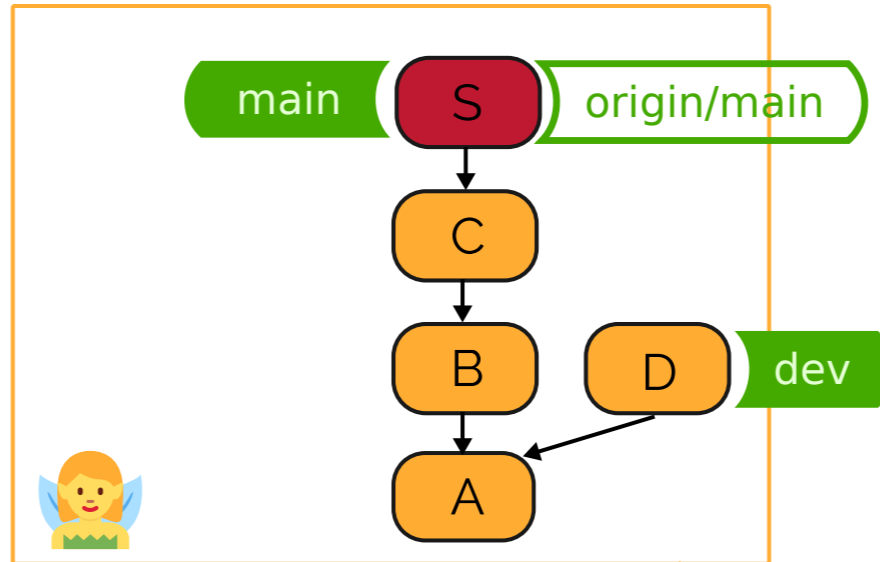
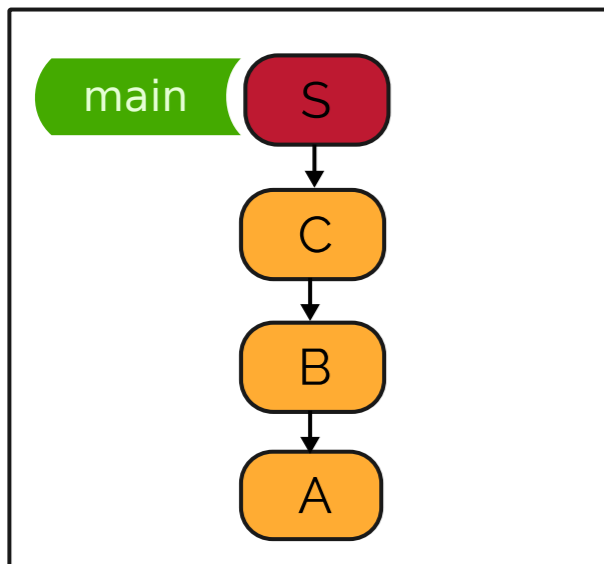
foo repository



push main

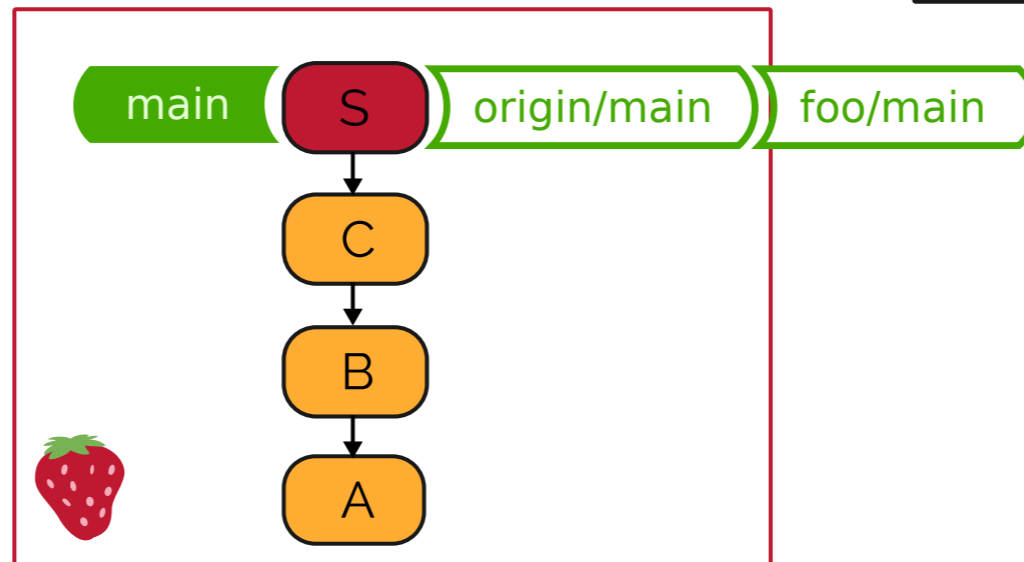
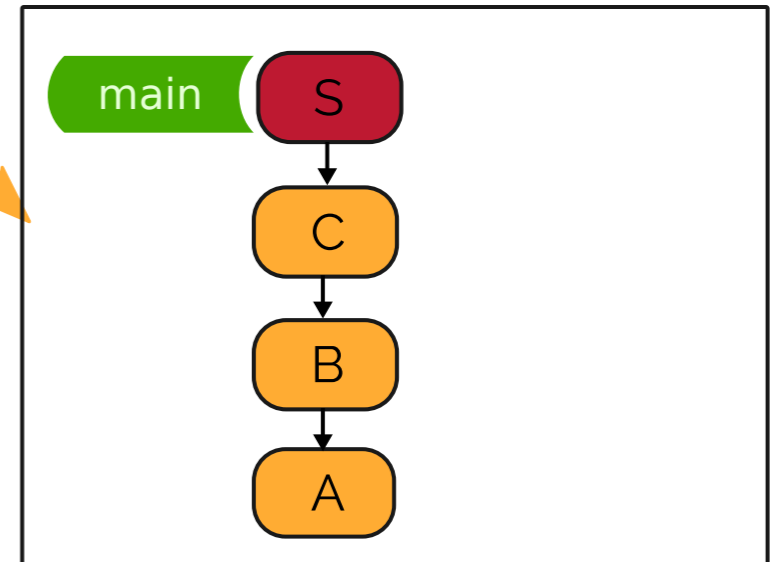


origin repository

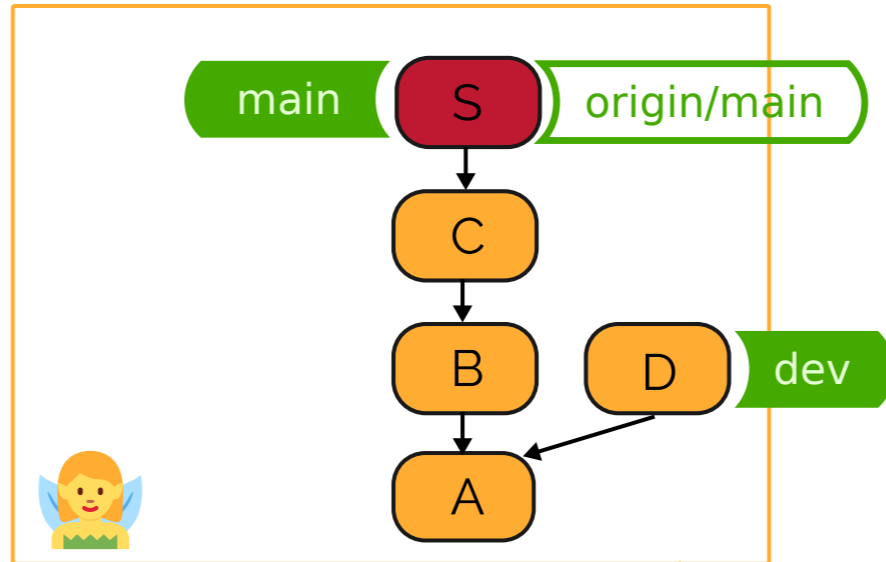
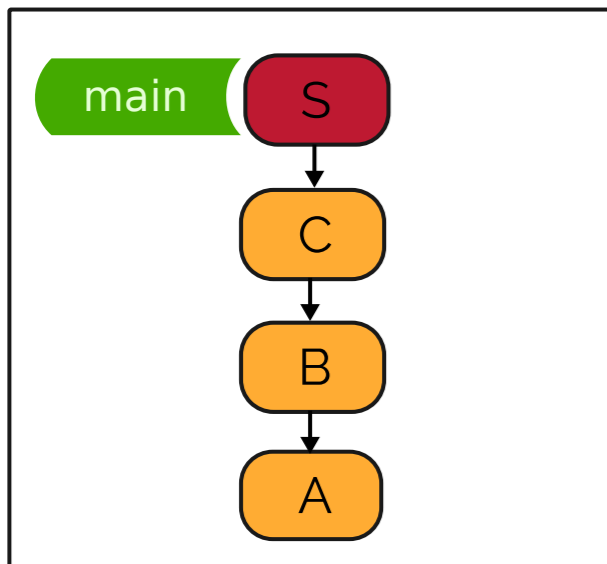


push dev

foo repository

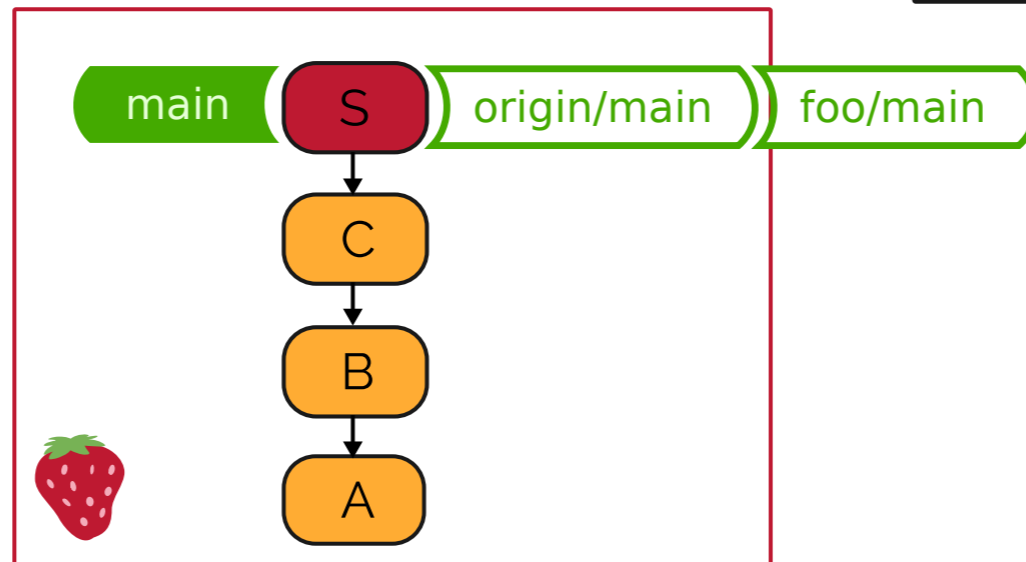
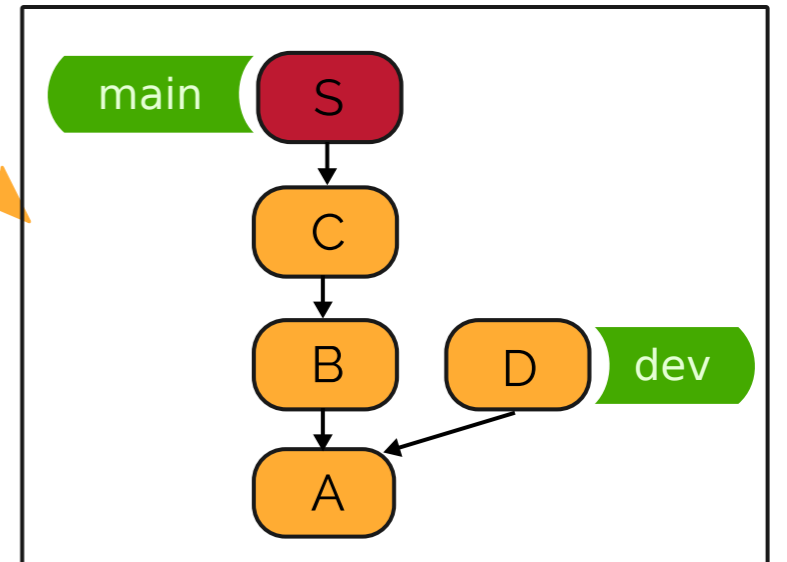


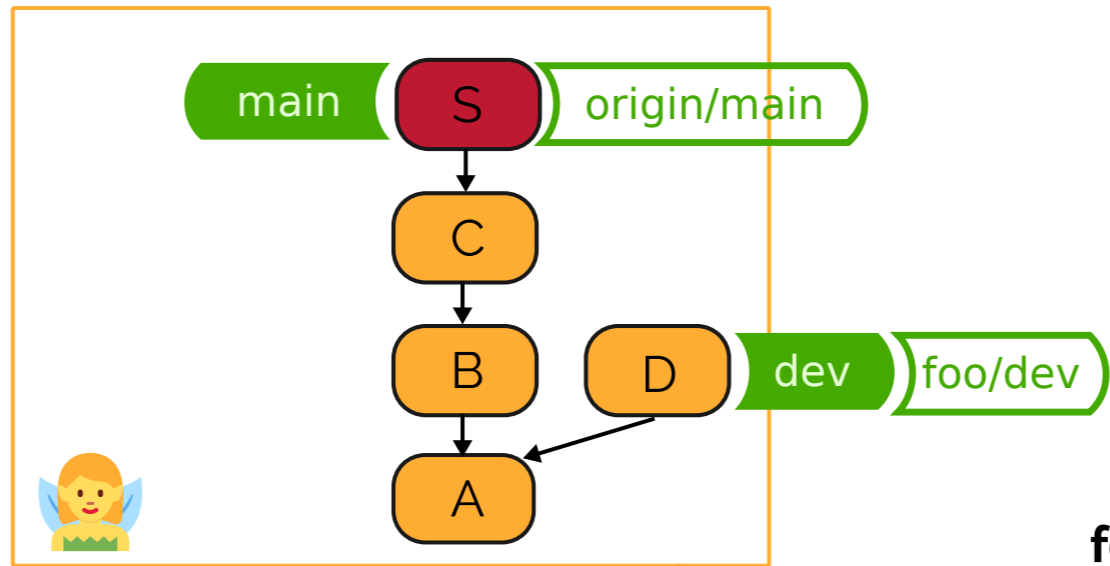
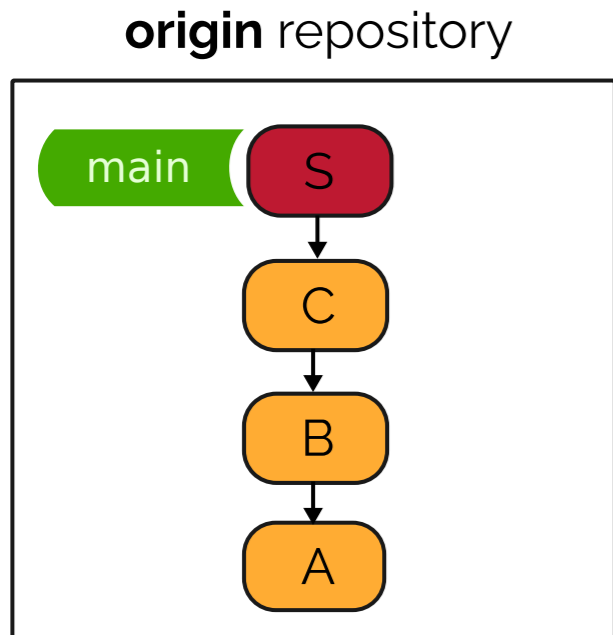
origin repository



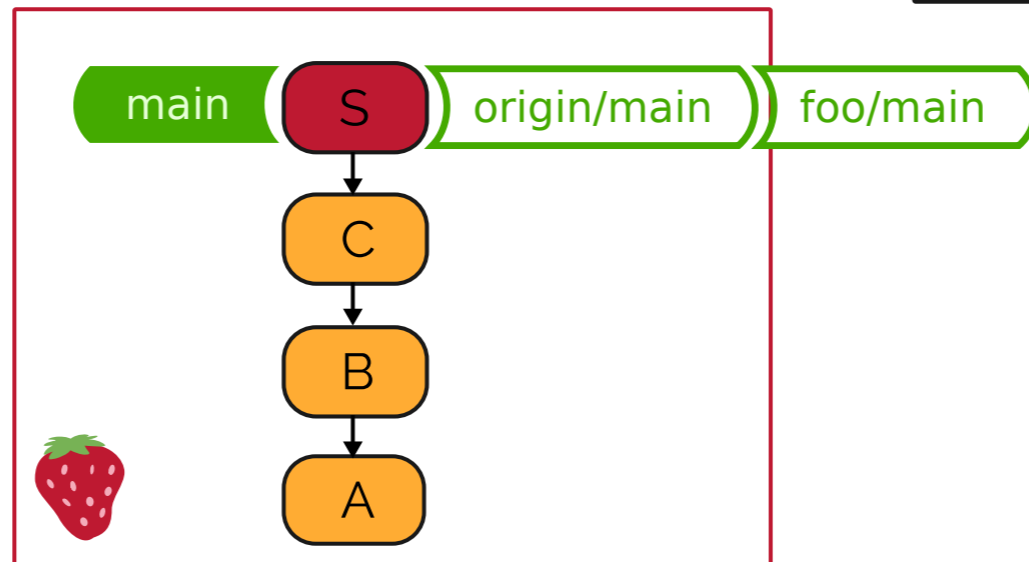
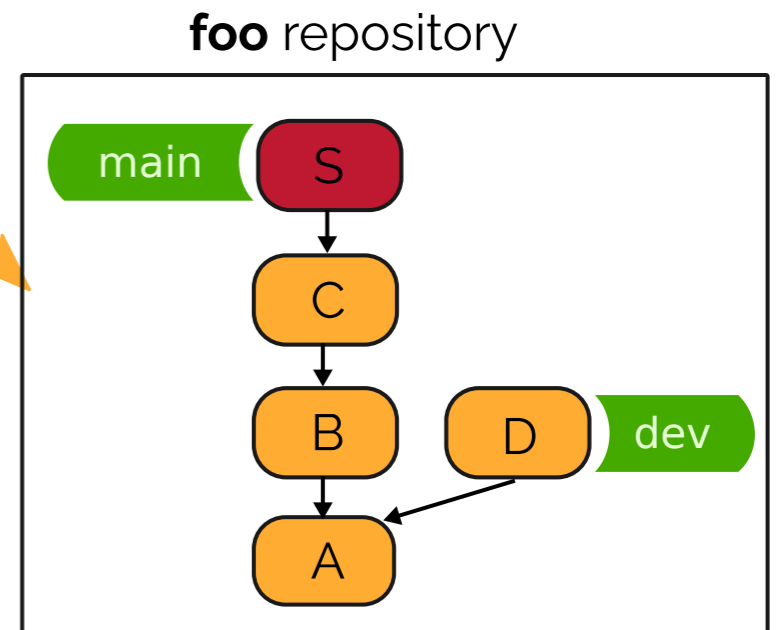
push dev

foo repository

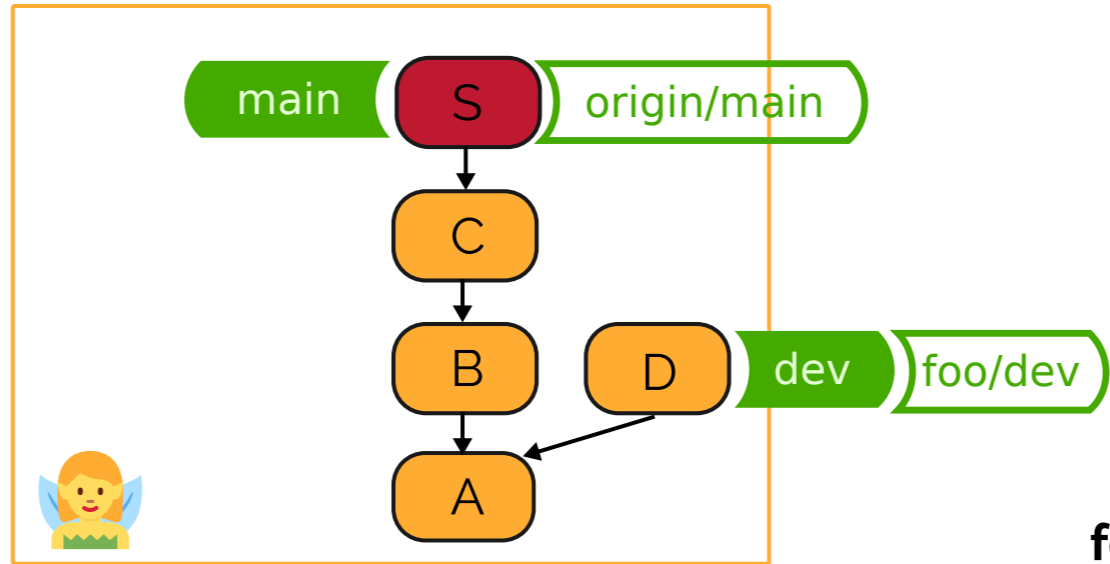
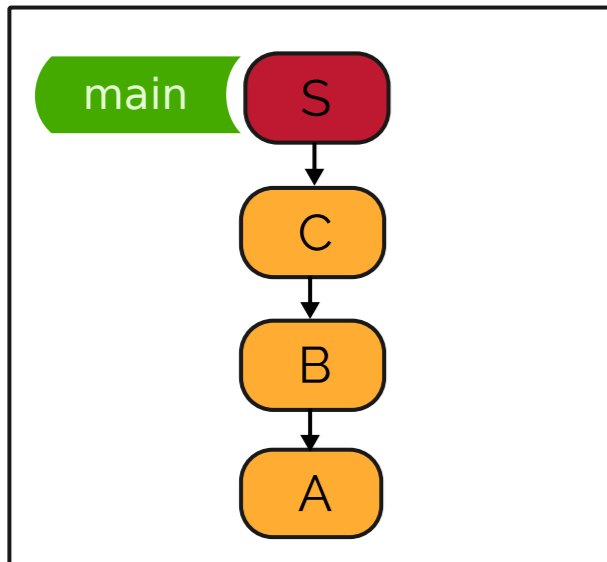




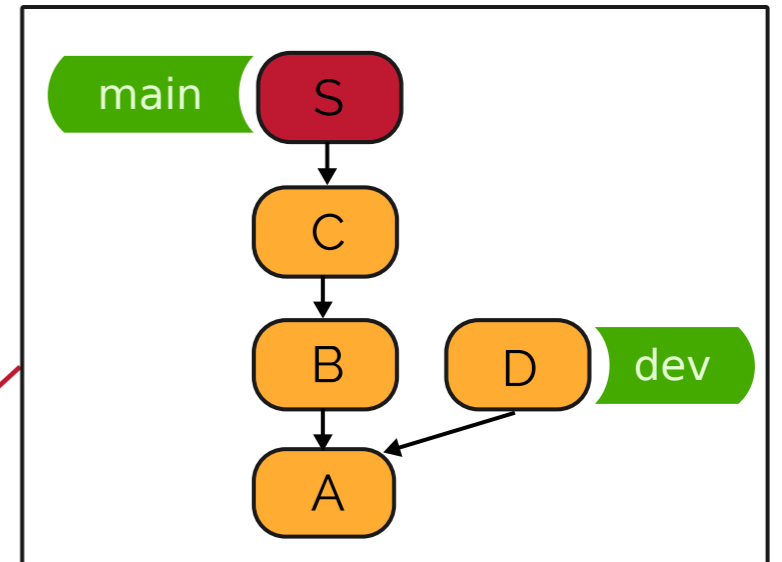
push dev



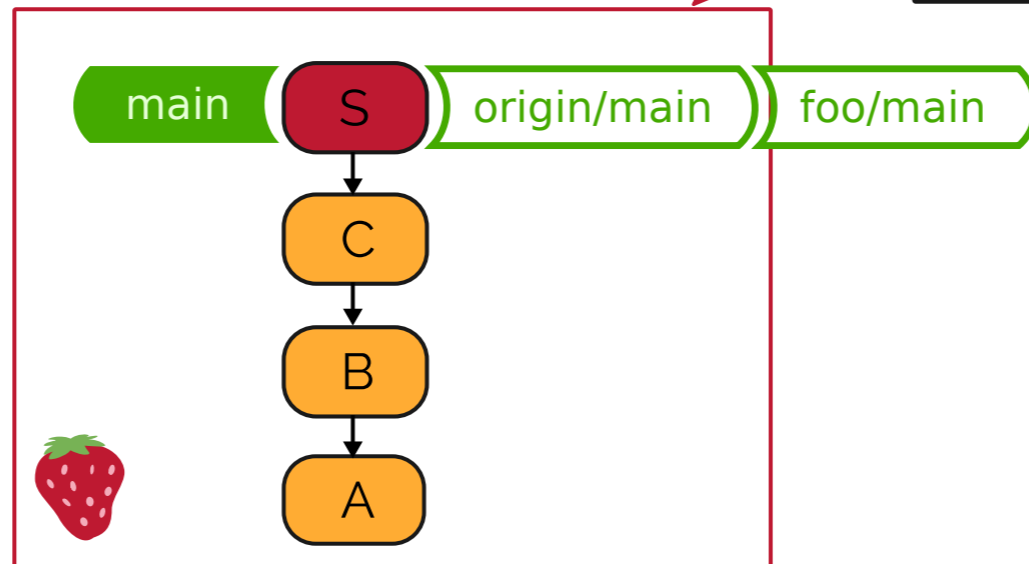
origin repository



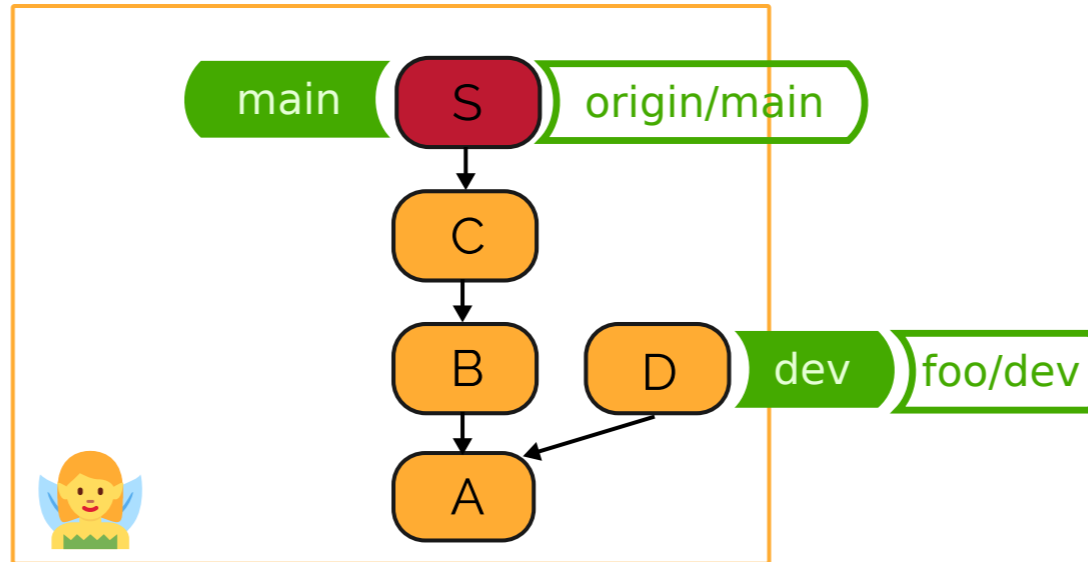
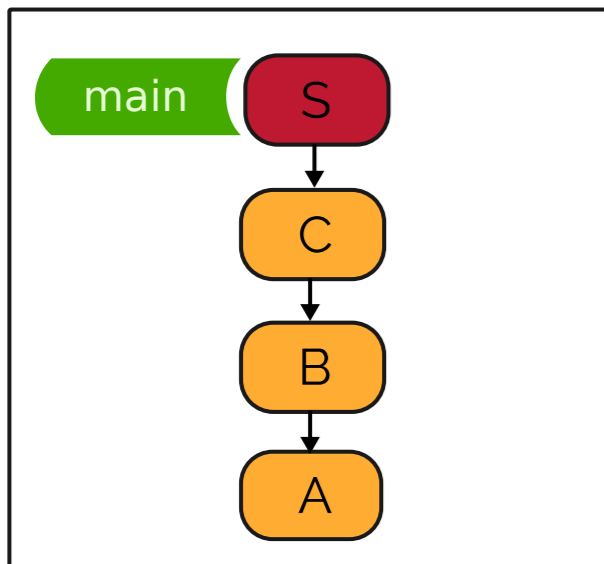
foo repository



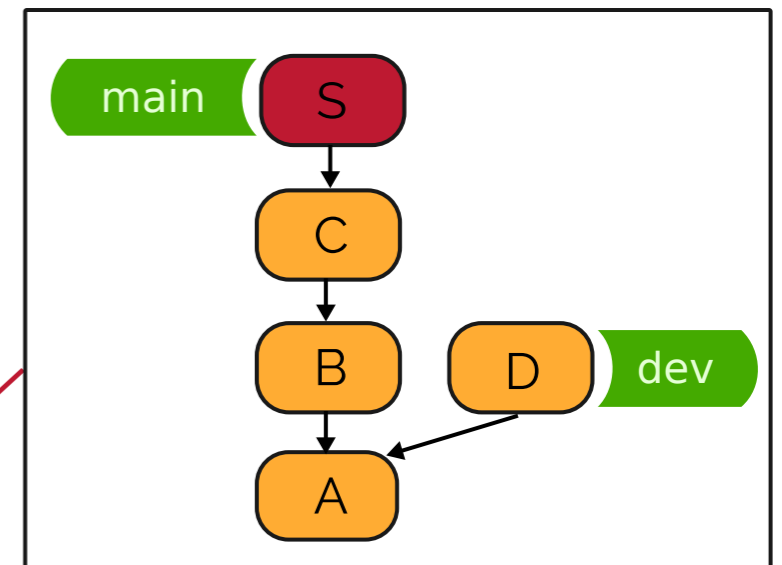
fetch



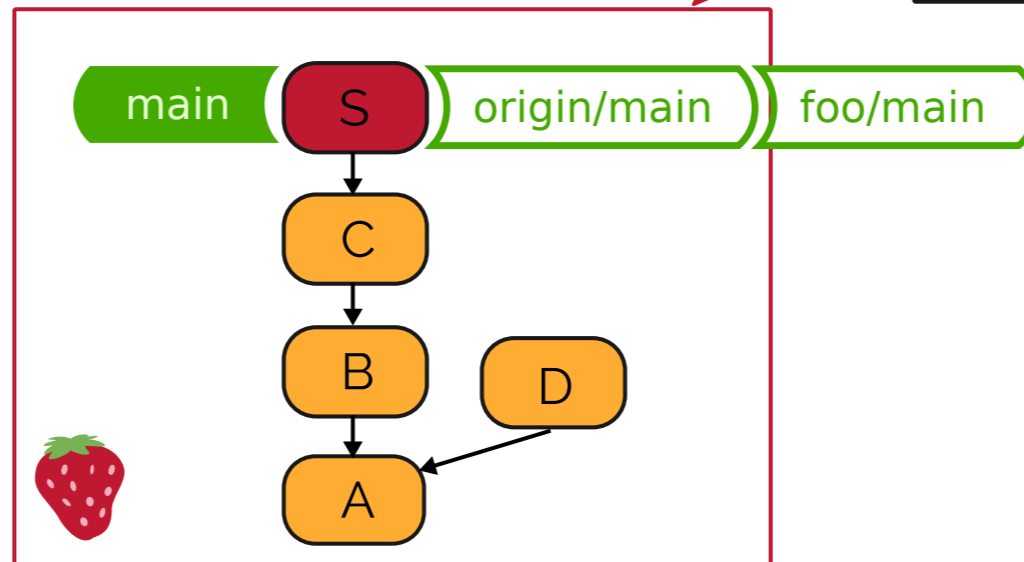
origin repository



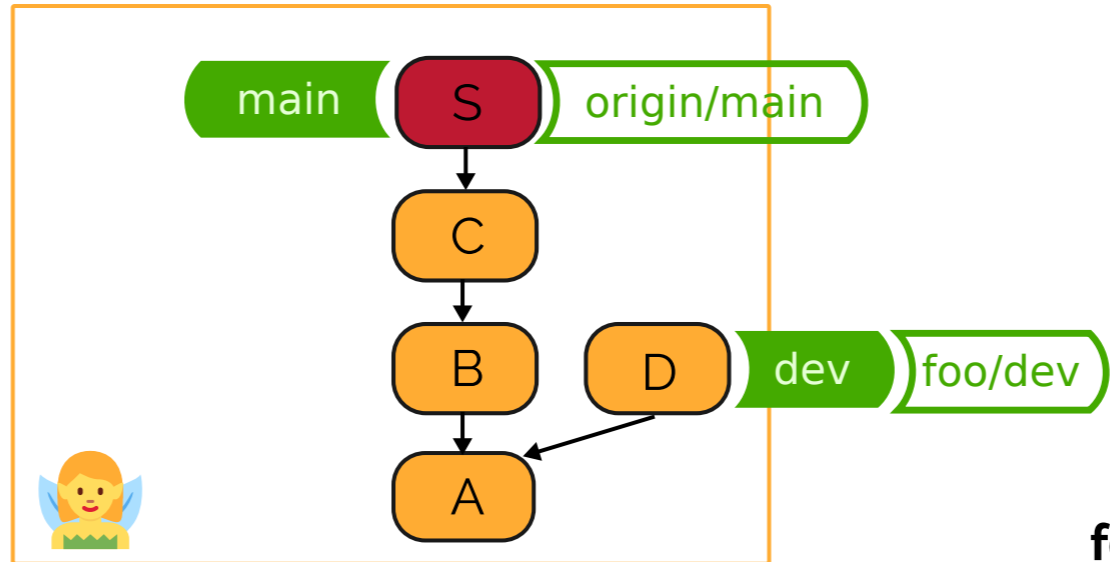
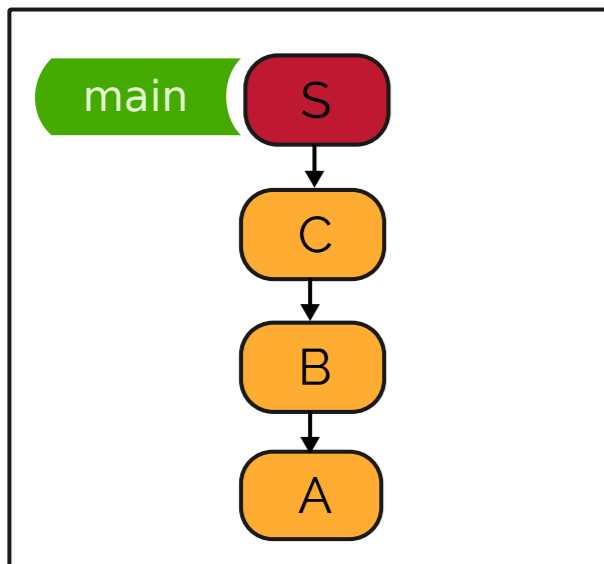
foo repository



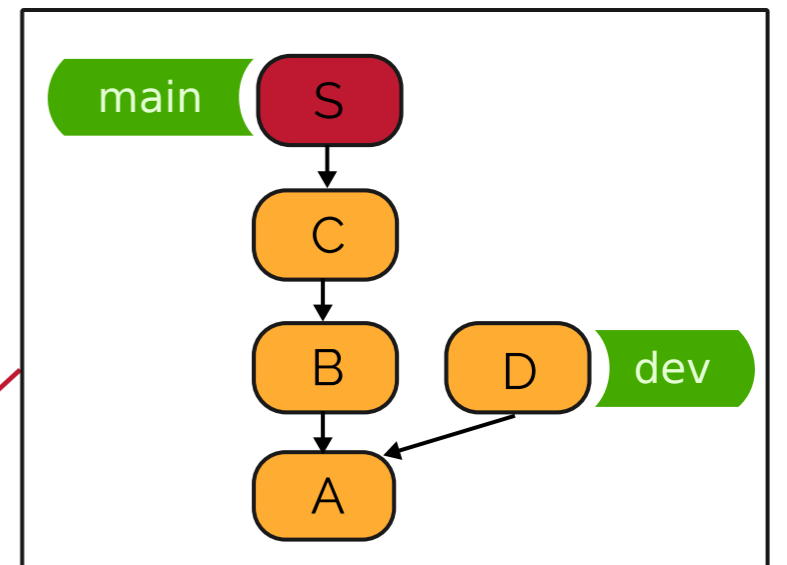
fetch



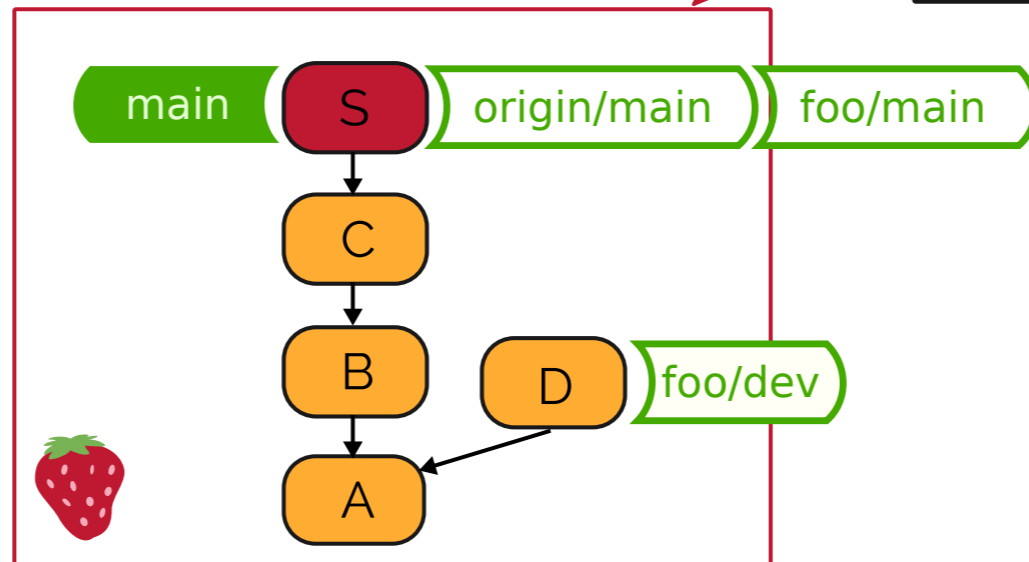
origin repository



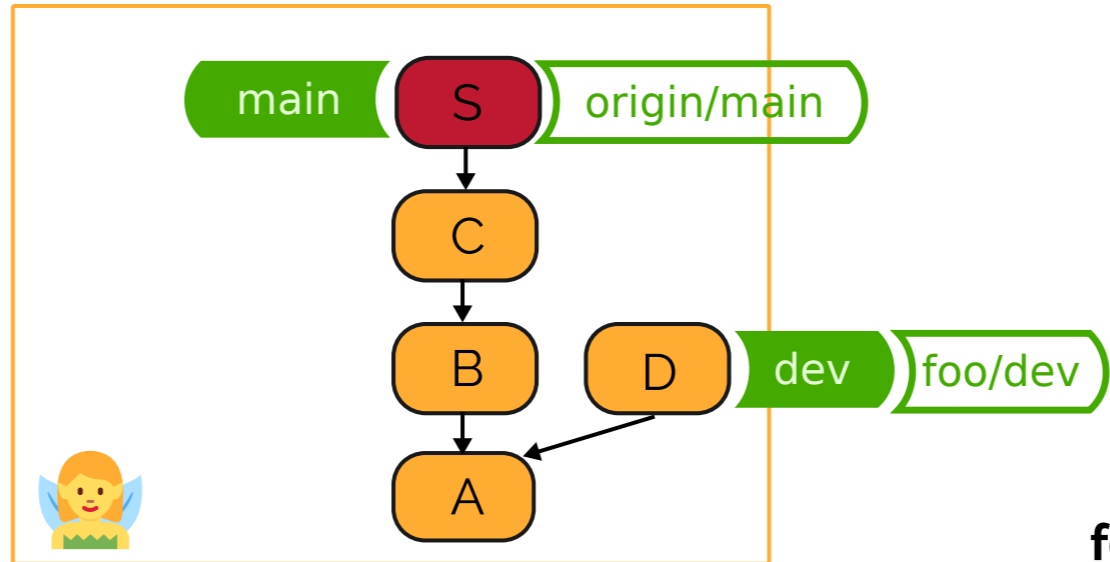
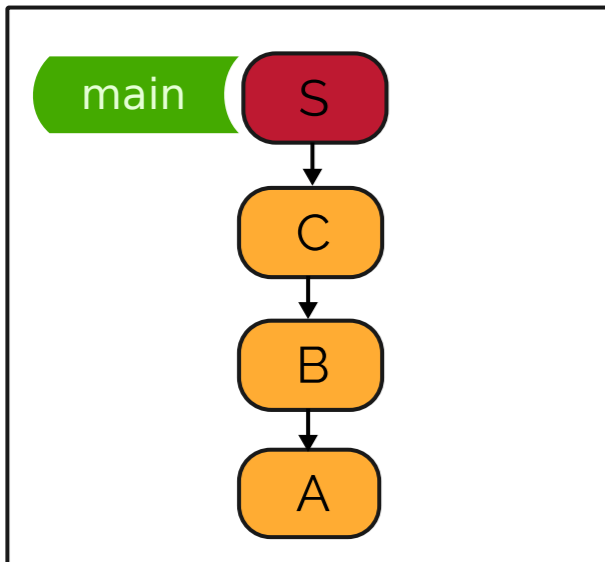
foo repository



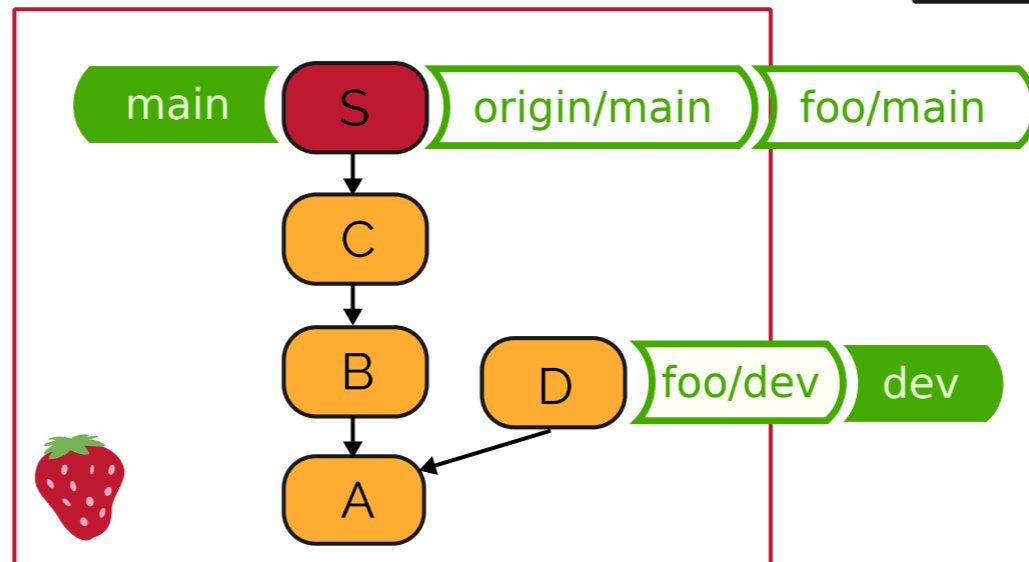
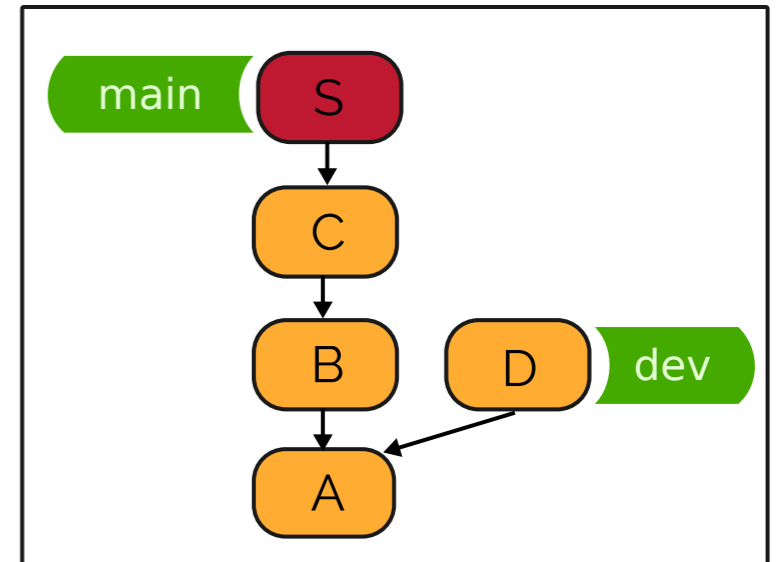
fetch



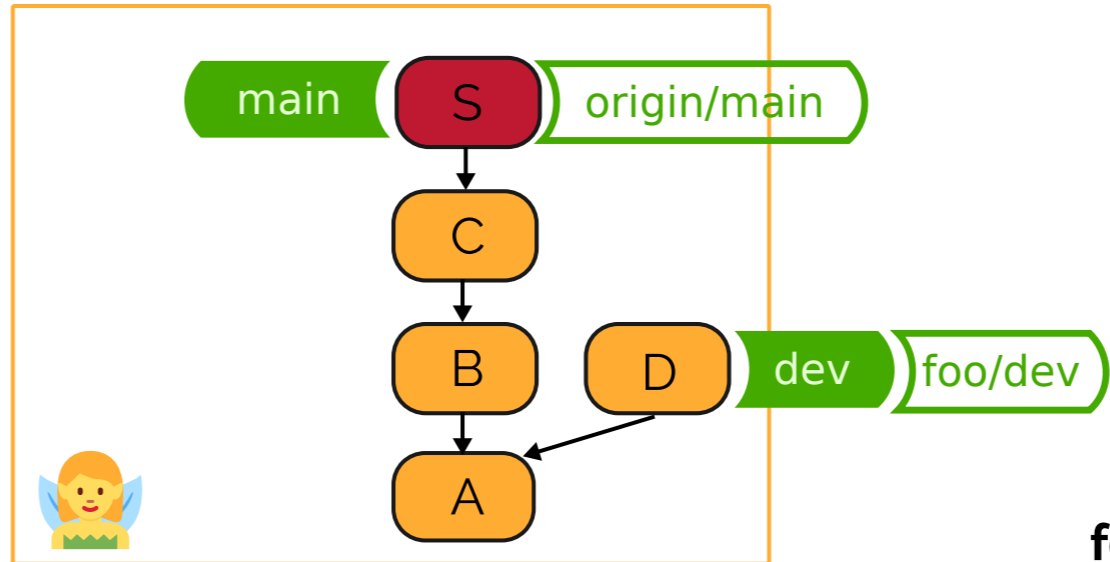
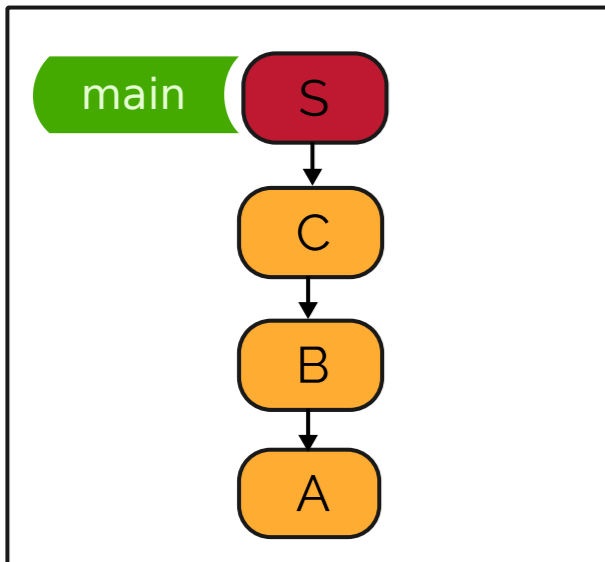
origin repository



foo repository



origin repository



foo repository

